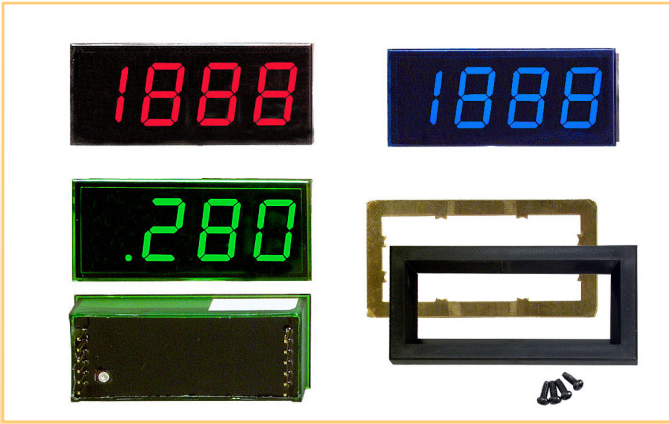


LED Digital Panel Meters

3½ Digit LED Display



FEATURES

- ▶ 0.56", 3½ digit high intensity LED display
- ▶ Available in RED, BLUE or GREEN
- ▶ User-selectable decimal points
- ▶ Polycarbonate case
- ▶ Optional bezel mount

SPECIFICATIONS

DISPLAY

Numeral Size: .56" (14.27 mm)
 Overage: three lower order digits blank for inputs >1999 & < -1999
 Polarity Indication: automatic (-) for negative
 Supply Voltage: +5 VDC @ 40 mA

INPUTS

Input Ranges: ± 200 mV, ± 2 V, ± 20 V
 Input Impedance: 1000 M Ω (200 mV)
 1 M Ω (other ranges)
 Common Mode Range: ± 1 VDC

PERFORMANCE

Accuracy: $\pm 1\%$ F.S. ± 2 counts
 Sampling Rate: 3 per second

ENVIRONMENT

Operating Temperature: 0 to 50 °C
 Max Humidity: 95% (non-condensing)

CONNECTION

12 pin

ORDERING INFO

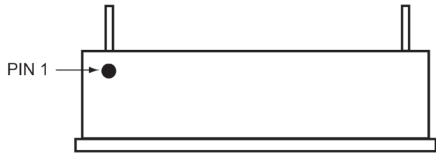
PART NUMBER	METER COLOR	METER INPUT
DLA-300BL	BLUE	200mV
DLA-301BL	BLUE	2V
DLA-302BL	BLUE	20V
DLA-300GL	GREEN	200mV
DLA-301GL	GREEN	2V
DLA-302GL	GREEN	20V
DLA-300HRL	RED	200mV
DLA-301HRL	RED	2V
DLA-302HRL	RED	20V

ACCESSORIES

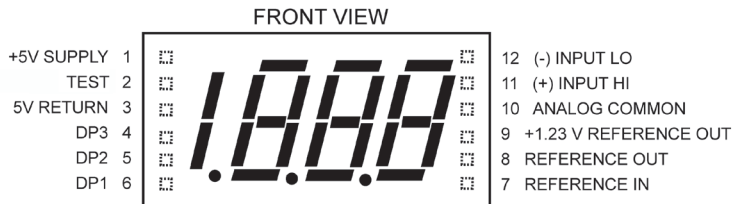
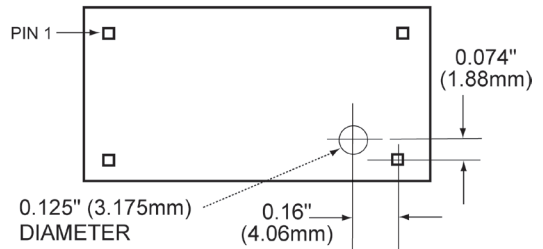
DLA-BEZ	Bezel Assembly
PW2-5	Regulated 120V AC to 5V DC Power Supply
CVC	Calibrator



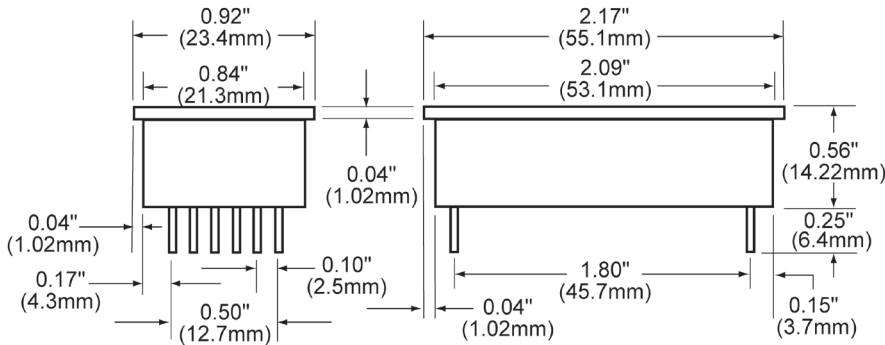
DIMENSIONS



FRONT VIEW
CALIBRATION POTENTIOMETER HOLE LOCATION



Pin Dimensions: 0.025" (0.626 mm) x 0.025" (0.626 mm)

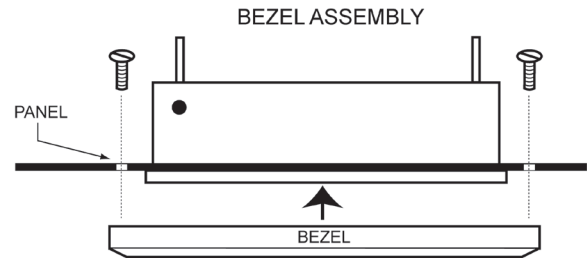
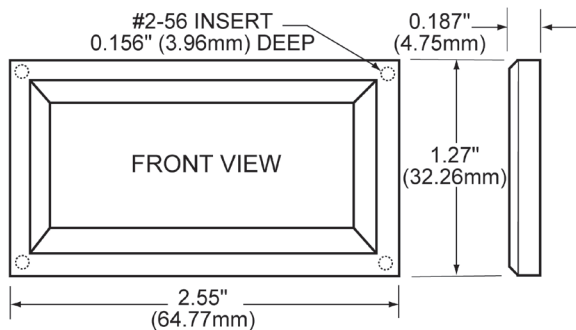


To enable DPs (Pin 4-6) connect to Pin 3 (5V return)

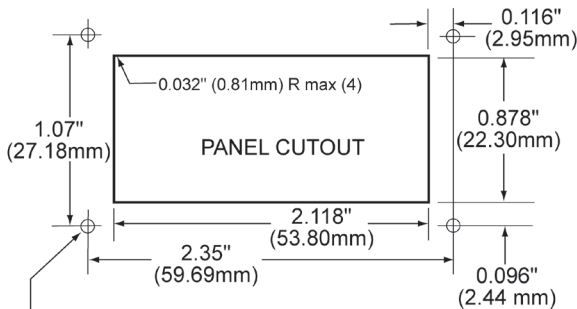
Pin 3 should be tied to Pin 12 for normal operation

Connect Pins 7 & 8

BEZEL ASSEMBLY



RECOMMENDED PANEL CUTOUT



0.093 (2.362) DIAMETER (4 REQUIRED)
ONLY WHEN USING BEZEL ASSEMBLY

