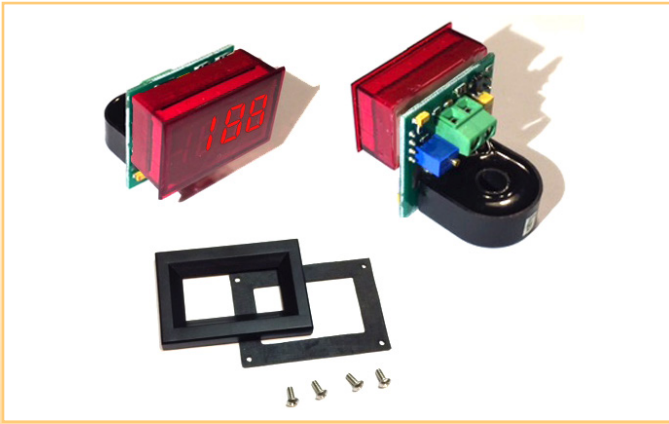


FEATURES

- ▶ Scales and displays the output of 50:5A to 2000:5A current transformers
- ▶ 14 ranges (0-50 Amp to 0-2000 Amp)
- ▶ Available in easy to read RED, BLUE or GREEN LED
- ▶ Can be self-powered

The DLA20-ACA5 Series AC Ammeters are designed to scale and digitally display the output of standard, 5A-output current transformers (50:5A, 500:5A, 1000:5A, etc.).



SPECIFICATIONS

DISPLAY

Numerical Size: .37" (9.4 mm)
 Overrange: three lower order digits blank
 Supply Voltage: 85-264 Vac 50/60Hz

INPUTS

Input Ranges: see ordering guide
 0-5ACA input

PERFORMANCE

Accuracy: $\pm 0.2\%$ FS ± 6 counts
 Sampling Rate: 2.5 per second

ENVIRONMENT

Operating Temperature: -10 to 50 °C
 Max Humidity: 95% (non-condensing)

CONNECTION

2 Terminal Power, Thru-Hole CT Input

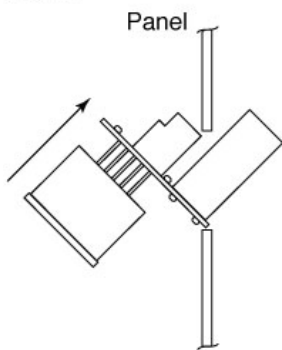
ORDERING INFO

PART NUMBER	METER COLOR	METER INPUT
DLA20-ACA5- X -AC1-R.....	RED	Replace " X " with corresponding number for meter input choice
DLA20-ACA5- X -AC1-B.....	BLUE	
DLA20-ACA5- X -AC1-G.....	GREEN	
		1 = 50.0A 8 = 400A
		2 = 75.0A 9 = 500A
		3 = 100.0A 10 = 600A
		4 = 150.0A 11 = 750A
		5 = 199.9A 12 = 1000A
		6 = 250A 13 = 1500A
		7 = 300A 14 = 1999A
ACCESSORIES INCLUDED		
DLA-BEZ-20-G Bezel Assembly		

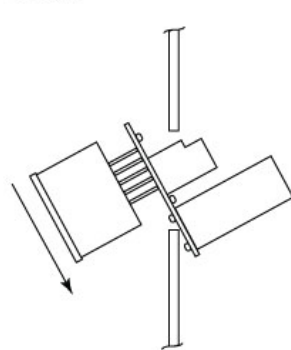
PANEL INSTALLATION

All connections to ammeters must be made after the ammeter is securely attached to the panel and with all load and supply voltages de-energized (off).

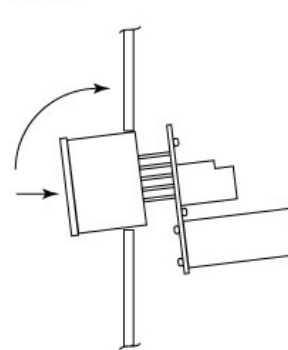
Step 1



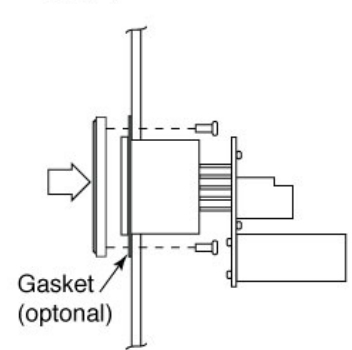
Step 2



Step 3



Step 4

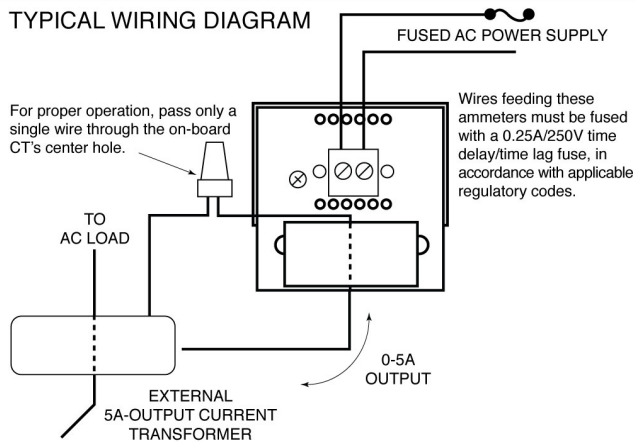


LED Digital Panel Meters

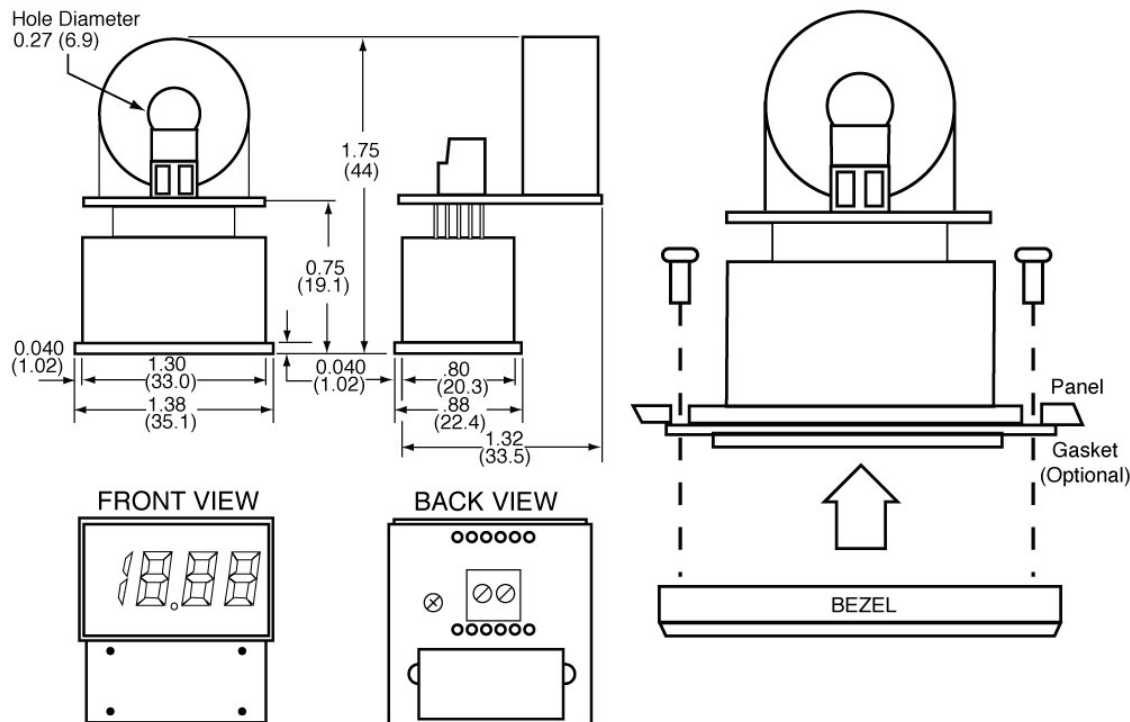
DLA20-ACA5 SERIES - LED Display, DC Ammeters



DIMENSIONS & WIRING



MECHANICAL SPECIFICATIONS



BEZEL INSTALLATION AND RECOMMENDED DRILL AND PANEL CUTOUT

