

LED Digital Panel Meters

DLA-200LED SERIES - 3½ Digit LED Display



FEATURES

- ▶ 0.37", 3½ digit high intensity LED display
- ▶ Available in RED, BLUE or GREEN
- ▶ User-selectable decimal points
- ▶ Polycarbonate case
- ▶ Optional bezel mount

SPECIFICATIONS

DISPLAY

Numeral Size: .37" (9.4 mm)
 Overage: three lower order digits blank for inputs >1999 & < -1999
 Polarity Indication: automatic (-) for negative
 Supply Voltage: +5 VDC @ 40 mA

INPUTS

Input Ranges: ±200 mV, ± 2 V, ±20 V
 Input Impedance: 1000 MΩ (200 mV)
 1 MΩ (other ranges)
 Common Mode Range: ± 1 VDC

PERFORMANCE

Accuracy: ±1% F.S. ± 2 counts
 Sampling Rate: 3 per second

ENVIRONMENT

Operating Temperature: 0 to 50 °C
 Max Humidity: 95% (non-condensing)

CONNECTION

12 pin

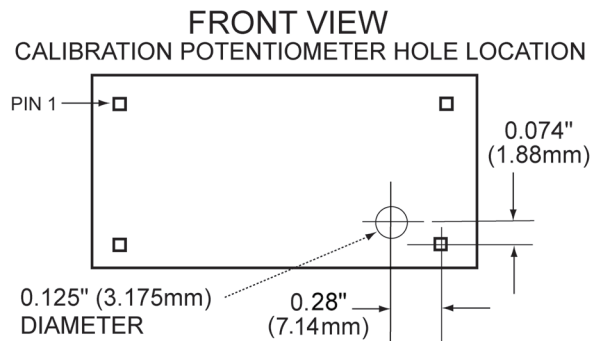
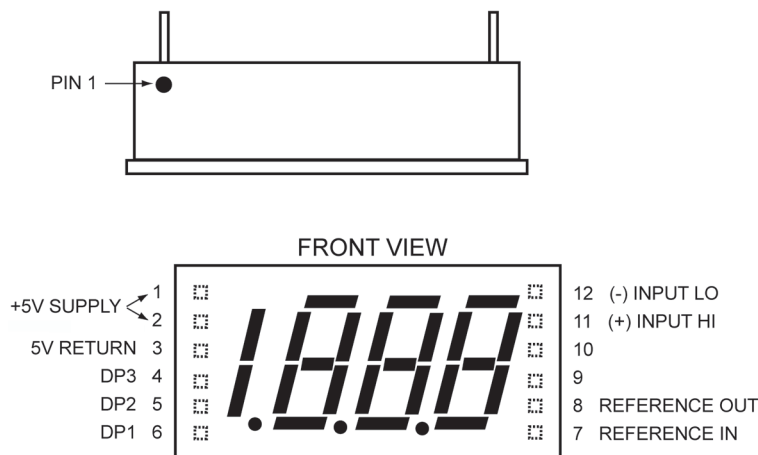
ORDERING INFO

PART NUMBER	METER COLOR	METER INPUT
DLA-200B.....	BLUE.....	200mV
DLA-201B.....	BLUE.....	2V
DLA-202B.....	BLUE.....	20V
DLA-200G.....	GREEN.....	200mV
DLA-201G.....	GREEN.....	2V
DLA-202G.....	GREEN.....	20V
DLA-200R.....	RED.....	200mV
DLA-201R.....	RED.....	2V
DLA-202R.....	RED.....	20V

ACCESSORIES

DLA-BEZ-20-G	Bezel Assembly
PW2-5.....	Regulated 120V AC to 5V DC Power Supply
CVC	Calibrator

WIRING



To enable DPs (Pin 4-6) connect to Pin 3 (5V return)
 Pin 3 should be tied to Pin 12 for normal operation
 Connect Pins 7 & 8



LED Digital Panel Meters

DLA-200LED SERIES - 3½ Digit LED Display



DIMENSIONS

