

LED Digital Panel Meters

3½ Digit LED Display for voltage inputs



FEATURES

- ▶ 3½ digits with 0.56" RED or GREEN LED
- ▶ 10 wire harness included
- ▶ Gasket and clamp provided for NEMA4, NEMA12 & IP66 applications
- ▶ User-selectable decimal points

SPECIFICATIONS

DISPLAY

Digits: 3 ½ (±1999 count)
 Type: 7- segment LED (red or green)
 Digit Height: .56" (14.2 mm)
 Polarity: automatic "-" for neg input
 Decimal Point: 3 position selectable
 Overrange: three lower order digits blank for inputs >1999 & < -1999

SIGNAL INPUTS

Configuration: bipolar, differential
 Full-Scale Input: ±200 mV, ±2 V, ±20 V
 Input Offset Adjustment: auto zero
 Input Impedance: >100 MΩ (±200 mV), -1 MΩ (other ranges)
 Common Mode Range: ±1 VDC
 Common Mode Rejection: >86 dB
 Protection: ±350 VDC (±100 VDC for 200 mV range)
 Input Bias Current: 1 pA typical, 100 pA max
 Control Inputs: decimal point select, span adjust trimpot

PERFORMANCE

Sampling Rate: 3.3 readings / s
 Accuracy: ± (0.1% + 2 counts) typical
 ± (0.2% + 2 counts) max
 Warmup, typical: 10 min
 Temperature Drift, typical: 100 ppm / °C

POWER SUPPLY

Supply Voltage: +5 VDC ±5%
 Supply Current, typical: 200 mA

ENVIRONMENT

Operating Temperature: 0 to 50°C
 Storage Temperature: -10 to 60°C
 Relative Humidity: 0 to 95% non-condensing

PHYSICAL

Package Style: NEMA bezel mount
 Dimensions: 3.09 x 1.5 x .66"
 Panel Cutout: 2.83 x 1.26"
 Weight: 1.0 oz
 Connector: J1C-10 or C10-5 optional

CONNECTION:

10 pin

ORDERING INFO

PART NUMBER	METER COLOR	METER POWER
DMO-35G-XEC	GREEN	200mV DC
DMO-36G-XEC	GREEN	2VDC
DMO-37G-XEC.....	GREEN	20VDC
DMO-35HR-XEC.....	RED	200mV DC
DMO-36HR-XEC.....	RED	2V DC
DMO-37HR-XEC.....	RED	20V DC

ACCESSORIES

C10-5	5" - 10 Pin Connector / Wire Assembly
J1C10.....	12" - 10 Pin Connector / Wire Assembly
PW2-5	Regulated 120V AC to 5V DC Power Supply
PW1.0.....	24V AC to adjustable DC output
CPW1.5B	24V AC to adjustable DC output
CVC	Calibrator

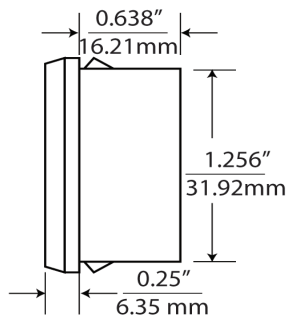
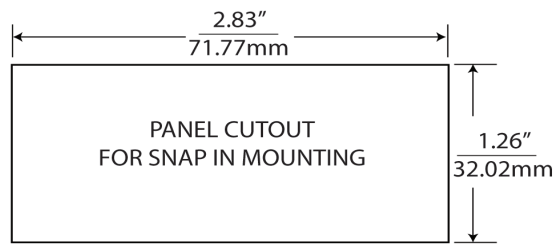
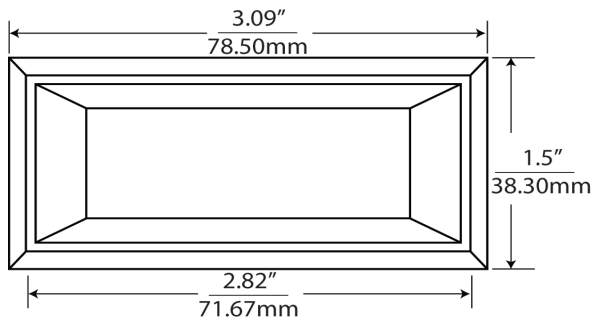


LED Digital Panel Meters

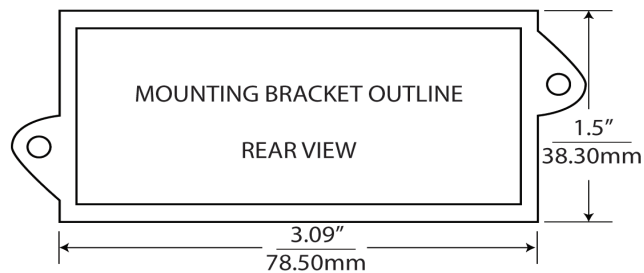
3½ Digit LED Display for voltage inputs



DIMENSIONS



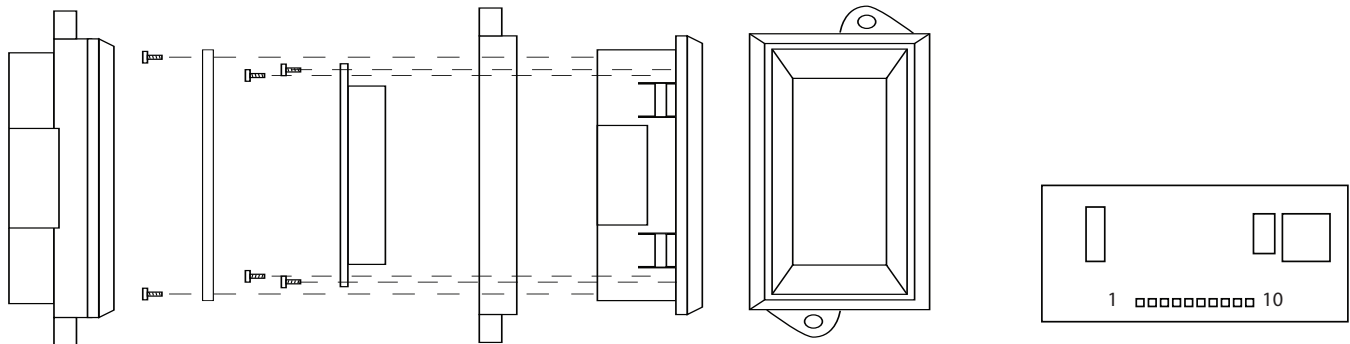
WITH GASKET FOR NEMA 4 MOUNTING



NOTES:

1. Panel thickness is: 0.032"/0.81mm to 0.25"/6.35mm
2. Gasket supplied is: 0.09"/2.25mm thick

inches
mm



WIRING

Pin No.	Pin Name	Description
1	V+	+5V power supply
2	GND	Power supply ground
3	DP COM	Decimal point return
4	DP1	1XX.X (connect to DP COM to turn on)
5	DP2	1X.XX (connect to DP COM to turn on)
6	DP3	1.XXX (connect to DP COM to turn on)
7	INPUT(+)	Positive input signal
8	INPUT(-)	Negative input signal
9	NC	No connection required
10	NC	No connection required

