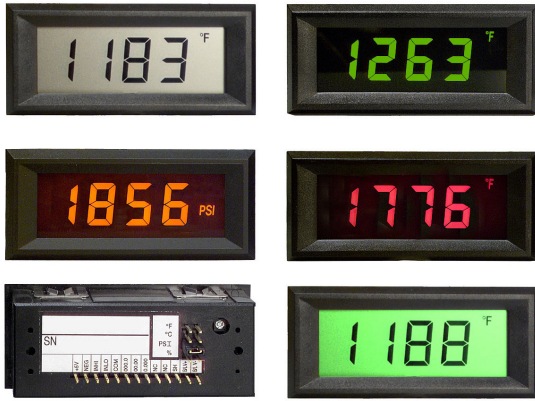


FEATURES

- ▶ Low-cost, high-performance replacement for many OEM DPMs
- ▶ Optional RED, GREEN or AMBER backlighting
- ▶ Snap-in bezel mount eliminates mounting hardware
- ▶ Resistant to RF and EMI
- ▶ 3½ digits with high-contrast LCD
- ▶ User-selectable, displayed engineering units



SPECIFICATIONS

DISPLAY

Digits: 3½ digits (± 1999 counts)
 Type: 0.45" (11.4 mm) 7 segment LCD
 Backlighting: Optional Red Negative (red numbers/black background)
 Optional Green Negative (green numbers/ black background)
 Optional Amber Negative (amber numbers/ black background)
 Optional Green Positive (black numbers / green background)
 Polarity: automatic, "-" displayed
 Annunciators: °F, °C, PSI, %, user-selectable
 Decimal Point: 3 position, user-selectable
 Overrange: three lower order digits blank for inputs >1999

INPUTS

Ranges: ± 200.0 mV, ± 2.000 V, ± 20.00 V DC
 Configuration: bipolar differential
 Protection: ± 350 VDC, (± 100 VDC on 200 mV range)
 Impedance: 1000 M Ω on ± 200 mV;
 (1 M Ω on 2 V & 20 V range)
 Bias Current: 1 pA (± 200 mV), 100 pA (other ranges)

PERFORMANCE

Accuracy: $\pm (0.1\% \text{ fs} + 2 \text{ count})$
 Conversion Rate: 3 per second
 Normal Mode Rejection: >30 dB @ 60 Hz
 Common Mode Range: ± 1 VDC max
 Common Mode Rej.: >86 dB
 Zero Adjustment: automatic
 Warmup: 10 minutes typical
 Temperature Coeff.: ± 100 ppm per °C typical

ENVIRONMENT

Operating Range: 0 to 50 °C
 Storage Range: -10 to 70 °C

POWER SUPPLY

5 VDC at 3.5 mA max
 Optional Backlight: 24 VDC at 35 mA, 5 VDC at 130 mA typical

MOUNTING CONNECTION

snap-in bezel mount
 13 pins, 0.025" square

ORDERING INFO

| PART NUMBER | BACKLIGHT COLOR | METER INPUT | BACKLIGHT POWER |
|-------------|-----------------|-------------|-----------------|
| DMO-541 | NO BACKLIGHT | 200mV | NONE |
| DMO-542 | NO BACKLIGHT | 2V | NONE |
| DMO-543 | NO BACKLIGHT | 20V | NONE |
| DMO-551 | NEG AMBER | 200mV | 5VDC |
| DMO-552 | NEG AMBER | 2V | 5VDC |
| DMO-553 | NEG AMBER | 20V | 5VDC |
| DMO-554 | NEG AMBER | 200mV | 24VDC |
| DMO-561 | NEG GREEN | 200mV | 5VDC |
| DMO-562 | NEG GREEN | 2V | 5VDC |
| DMO-563 | NEG GREEN | 20V | 5VDC |
| DMO-564 | NEG GREEN | 200mV | 24VDC |
| DMO-571 | NEG RED | 200mV | 5VDC |
| DMO-572 | NEG RED | 2V | 5VDC |
| DMO-573 | NEG RED | 20V | 5VDC |
| DMO-574 | NEG RED | 200mV | 24VDC |
| DMO-581 | POS GREEN | 200mV | 5VDC |
| DMO-582 | POS GREEN | 2V | 5VDC |
| DMO-583 | POS GREEN | 20V | 5VDC |
| DMO-584 | POS GREEN | 200mV | 24VDC |

ACCESSORIES

| | |
|--------|--|
| J4C13 | 13 Pin Connector / Wire Assembly |
| PW2-5 | Regulated 120V AC to 5V DC Power Supply |
| PW2-24 | Regulated 120V AC to 24V DC Power Supply |
| CVC | Calibrator |

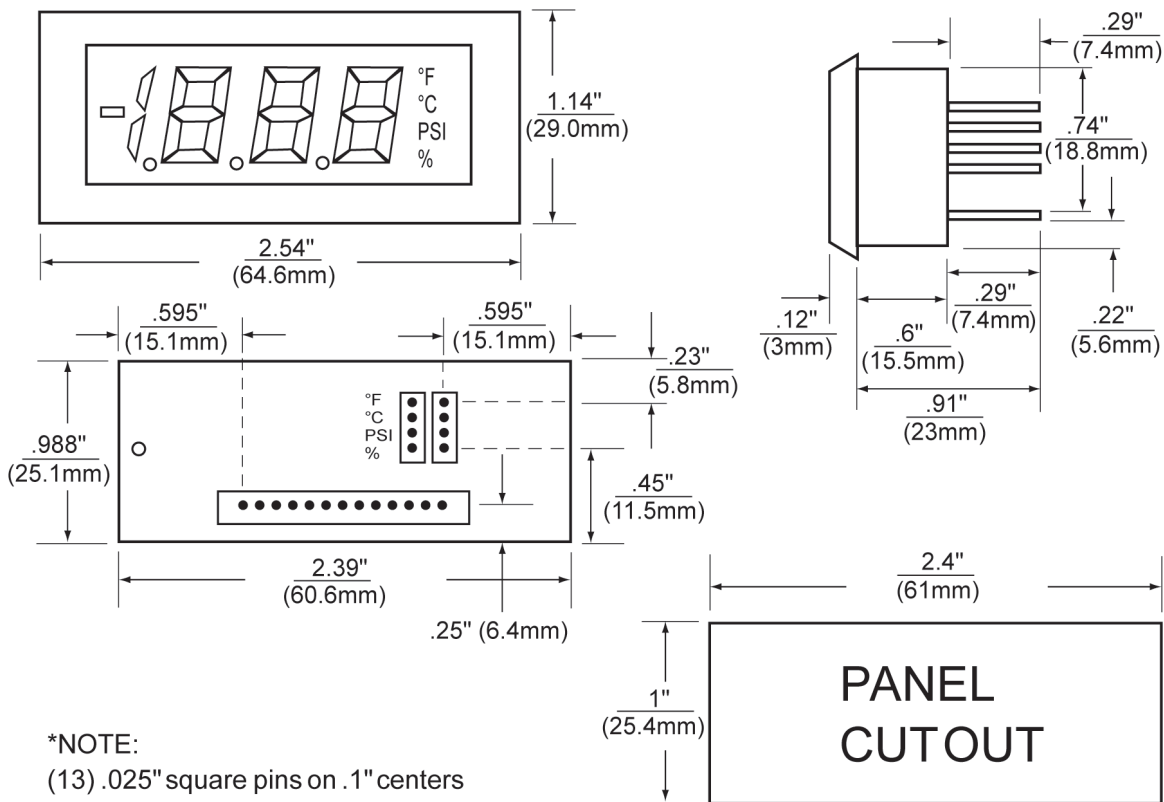


LCD Digital Panel Meters

EPIC Series - 3½ Digit LCD



DIMENSIONS



*NOTE:
 (13) .025" square pins on .1" centers

WIRING

| PIN # | PIN NAME | DESCRIPTION |
|-------|----------|--|
| 1 | +5V | +5V POWER SUPPLY |
| 2 | NEG | POWER SUPPLY GROUND |
| 3 | INHI | POSITIVE INPUT SIGNAL |
| 4 | INLO | NEGATIVE INPUT SIGNAL |
| 5 | COM | DECIMAL COMMON |
| 6 | 000.0 | 000.0 WHEN CONNECTED TO DECIMAL COMMON |
| 7 | 00.00 | 00.00 WHEN CONNECTED TO DECIMAL COMMON |
| 8 | 0.000 | 0.000 WHEN CONNECTED TO DECIMAL COMMON |
| 9 | NC | NO CONNECTION REQUIRED |
| 10 | NC | NO CONNECTION REQUIRED |
| 11 | NC | NO CONNECTION REQUIRED |
| 12 | BLV+ | BACKLIGHT V+ (BACKLIT MODELS ONLY) |
| 13 | BLV- | BACKLIGHT V- (BACKLIT MODELS ONLY) |

Note: Pins 2 & 4 should be tied together for proper operation