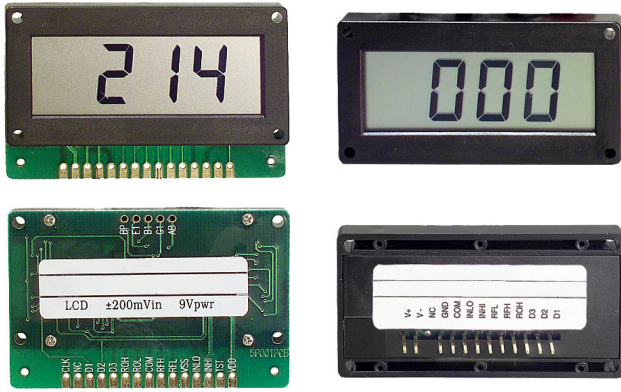


FEATURES

- ▶ Low-cost
- ▶ Ultra compact flat design
- ▶ Less than .25" deep
- ▶ 3½ digits with high-contrast LCD



SPECIFICATIONS

DISPLAY

Digits: 3 ½ digits (±1999 counts)
 Type: 0.5" (13mm) 7 segment reflective LCD
 Digit Height: .50" (12.7mm)
 Polarity Ind.: automatic, "-" displayed
 Annunciators: "LoBat" when power <7.2 VDC
 Decimal Points: 3 position, user-selectable
 Overrange: three lower order digits blank for inputs >1999

INPUTS

Ranges: ±200.0mV, ±2.000V, ±20.00V DC
 Configuration: true differential input and reference
 Protection: 250 VDC or 150 V RMS continuous, 300 V intermittent max
 Impedance: >100 MΩ on ± 200mV ; (>1 MΩ on 2V & 20V range)
 Bias Current: 1 pA typical, 10 pA max

PERFORMANCE

Accuracy: ±(0.1% fs + 2 count) with +5 and ±5V power
 ±(0.1% rgd + 1 count) with 9 V power
 Conversion Rate: 2.5 per second
 Normal Mode Rejection: >30 dB @ 60 Hz
 Common Mode Range: ±1 VDC max
 Common Mode Rej.: >86 dB
 Zero Adjustment: automatic
 Warmup: 10 min typical
 Temperature Coeff.: ±100 ppm per °C typical

ENVIRONMENT

Operating Range: 0 to 50 °C
 Storage Range: -10 to 60 °C
 Relative Humidity: 0 to 95% non-condensing

POWER SUPPLY

9V powered: 9 V isolated, 7.2-12 V at 150 μA
 +5V and -5V DC: ±5 V ±5% at 150 μA
 +5V DC: 5 V ±5% at 3 mA

MOUNTING

panel hole mounting,
 standard bezel mount (optional)
 Dimensions: 2.37 x 1.50 x .32
 Panel Cutout: 1.89 x .66
 Weight: 0.9 oz (25 g)

CONNECTION

5F: 13 pins, 0.025" square - pin 3 missing
 5P: 15 solder pads

ORDERING INFO

5F SERIES - 13-pins

PART NUMBER	METER INPUT	METER POWER
5F0040	200mV	+5VDC
5F0050	200mV	±5VDC
5F0090	200mV	9V
5F0140	.2V	+5VDC
5F0150	.2V	±5VDC
5F0190	.2V	9V
5F0240	.20V	+5VDC
5F0250	.20V	±5VDC
5F0290	.20V	9V

5P SERIES - 15 pads

PART NUMBER	METER INPUT	METER POWER
5P0040	200mV	+5VDC
5P0050	200mV	±5VDC
5P0090	200mV	9V
5P0140	.2V	+5VDC
5P0150	.2V	±5VDC
5P0190	.2V	9V
5P0240	.20V	+5VDC
5P0250	.20V	±5VDC
5P0290	.20V	9V

ACCESSORIES

B-1B	Bezel Mounting Kit
J1C13	13 Pin Connector / Wire Assembly
PW2-5	Regulated 120V AC to 5V DC Power Supply
PW2-12	Regulated 120V AC to 12V DC Power Supply
CVC	Calibrator

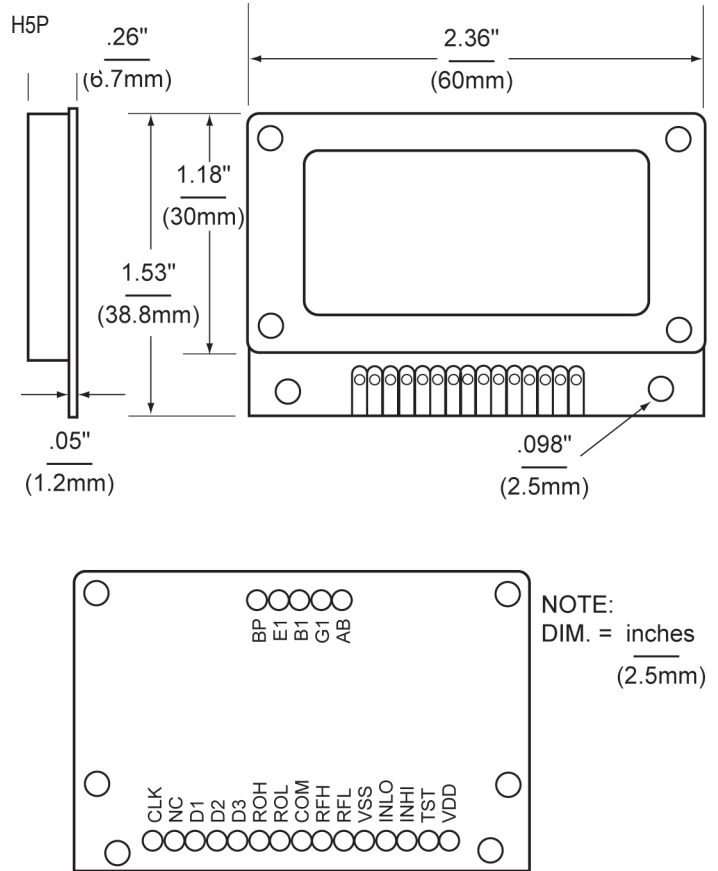
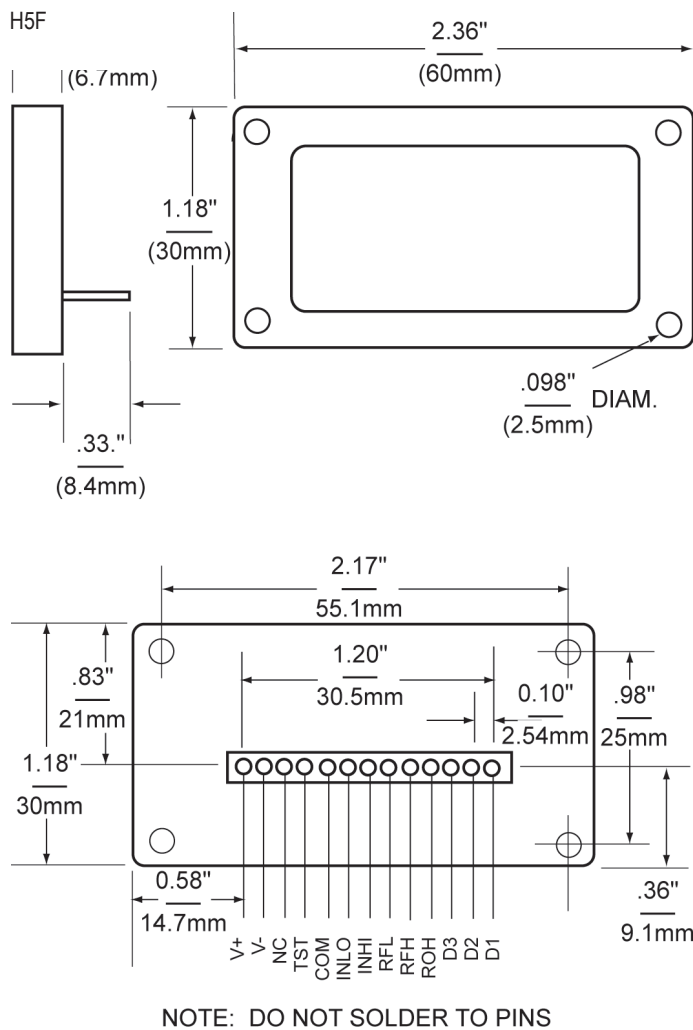


LCD Digital Panel Meters

Flat Pack 3½ Digit LCD



DIMENSIONS



BEZEL MOUNTING

