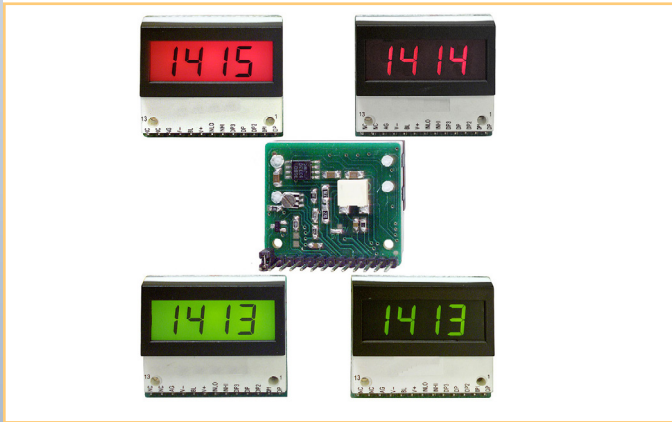


LCD Digital Panel Meters

Miniature Window Mount 3½ Digit LCD

FEATURES

- ▶ Low-cost
- ▶ Window mount
- ▶ Ultra-thin space-saving design: only 0.8" deep including connector
- ▶ Occupies less than 1.3 X 0.7 inches of front panel space
- ▶ 3½ digits with high-contrast LCD
- ▶ Choice of positive or negative RED or GREEN
- ▶ Low power



SPECIFICATIONS

DISPLAY

Digits: 3 ½ digits (±1999 counts)
 Type: 7 segment backlit LCD
 Polarity: automatic, "-" displayed
 Decimal Points: 3 position, user-selectable
 Overrange: three lower order digits blank for inputs >1999

INPUTS

Ranges: 200 mV, 2 V
 Protection: 100 V on 200 mV, 250 V on 2 V
 Impedance: 100 MΩ on 200 mV, 1 MΩ on 2 V

PERFORMANCE

Accuracy: ±(0.1% of F.S. +1 count)
 Conversion Rate: 2.5 per second
 Normal Mode Rejection: >30 dB @ 60Hz.
 Common Mode Range: ±1Vdc
 Common Mode Rej.: >86 dB
 Zero Adjustment: automatic
 Warmup: 10 minutes typical
 Temperature Coeff.: ±100 ppm per °C typical

ENVIRONMENT

Operating Range: 0 to 60 °C
 Storage Range: -10 to 70 °C

POWER SUPPLY

Backlight OFF: +5 V (+4.75 VDC to +5.5 VDC) @
 500 μA typical
 ±5 V or +9V +7.2 VDC to 12 VDC) @
 250 μA typical
 Backlight ON: +5 V @ 60 mA typical
 ±5 V or +9 V @ 20 mA typical
 Note: Backlight current can be reduced by
 adding an external resistor between BL and V-

MOUNTING

window mount
 bezel mount (optional)

CONNECTION

13 pin

ORDERING INFO

PART NUMBER	BACKLIGHT COLOR	METER INPUT	METER POWER
7M2041	POS GREEN	200mV	+5VDC
7M2055	POS GREEN	200mV	±5VDC
7M2099	POS GREEN	200mV	+9V
7M2141	POS GREEN	2V	+5VDC
7M2155	POS GREEN	2V	±5VDC
7M2199	POS GREEN	2V	+9V
7M4041	NEG GREEN	200mV	+5VDC
7M4055	NEG GREEN	200mV	±5VDC
7M4099	NEG GREEN	200mV	+9V
7M4141	NEG GREEN	2V	+5VDC
7M4155	NEG GREEN	2V	±5VDC
7M4199	NEG GREEN	2V	+9V
7M6041	NEG RED	200mV	+5VDC
7M6055	NEG RED	200mV	±5VDC
7M6099	NEG RED	200mV	+9V
7M6141	NEG RED	2V	+5VDC
7M6155	NEG RED	2V	±5VDC
7M6199	NEG RED	2V	+9V
7M7041	POS RED	200mV	+5VDC
7M7055	POS RED	200mV	±5VDC
7M7099	POS RED	200mV	+9V
7M7141	POS RED	2V	+5VDC
7M7155	POS RED	2V	±5VDC
7M7199	POS RED	2V	+9V

ACCESSORIES

PW2-5	Regulated 120V AC to 5V DC Power Supply
PW2-12	Regulated 120V AC to 12V DC Power Supply
7M-BEZ	Optional bezel
CVC	Calibrator

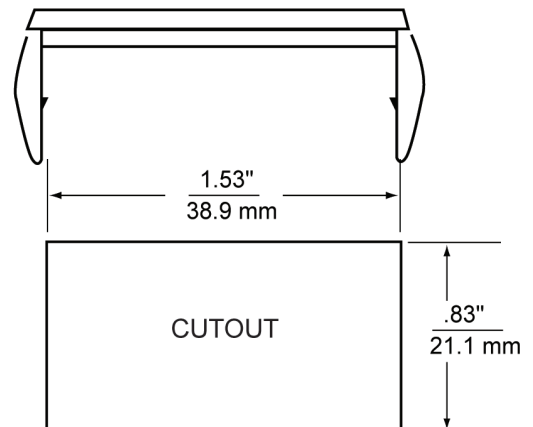
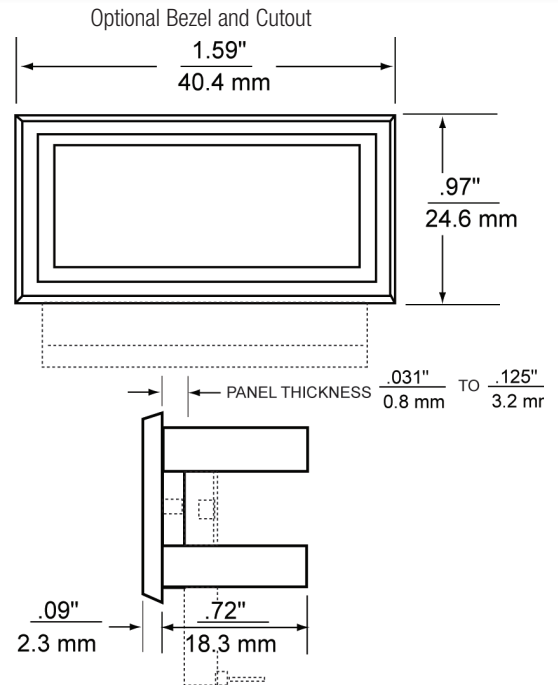
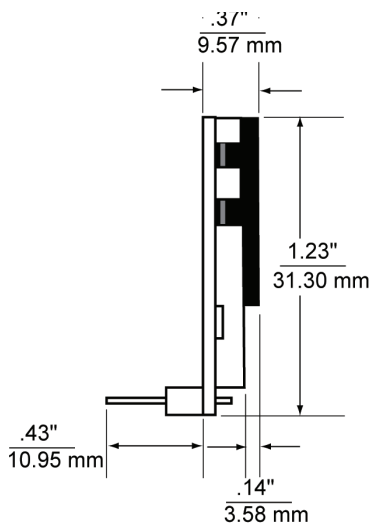
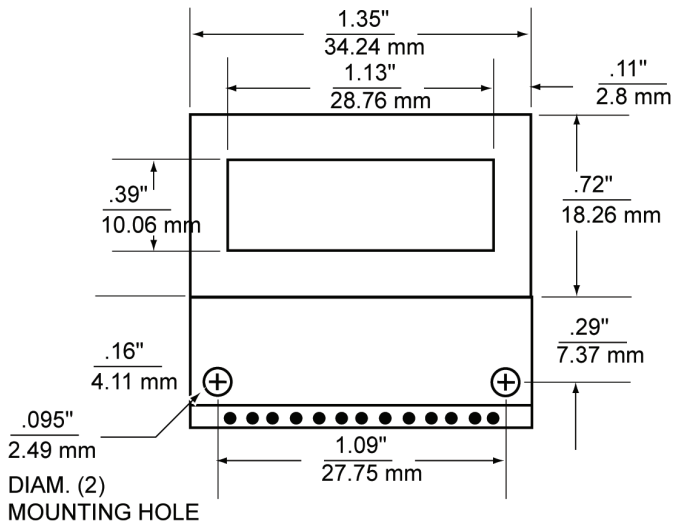


LCD Digital Panel Meters

Miniature Window Mount 3½ Digit LCD



DIMENSIONS



WIRING

PIN # PIN NAME DESCRIPTION

PIN #	PIN NAME	DESCRIPTION
1	DP COM	CONNECT TO SELECTED DECIMAL POINT
2	DP1	DP XXX.X
3	DP2	DP XX.XX
4	DP COM	CONNECT TO SELECTED DECIMAL POINT
5	DP3	DP X.XXX
6	INHI	INPUT SIGNAL HI
7	INLO	INPUT SIGNAL LO
8	V+	+5 VOLT POWER, +9 VOLT POWER
9	BL	CONNECT TO V- FOR BACKLIGHTING
10	V-	-5 VOLT POWER, GROUND FOR 5V OR 9V POWER
11	AG	CONNECT TO INLO FOR ISOLATED OPERATION
12	NC	NO CONNECTION REQUIRED
13	NC	NO CONNECTION REQUIRED

