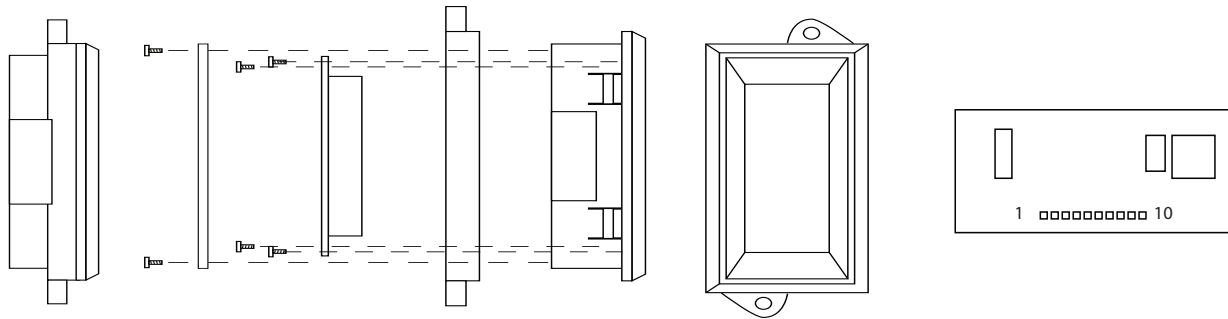
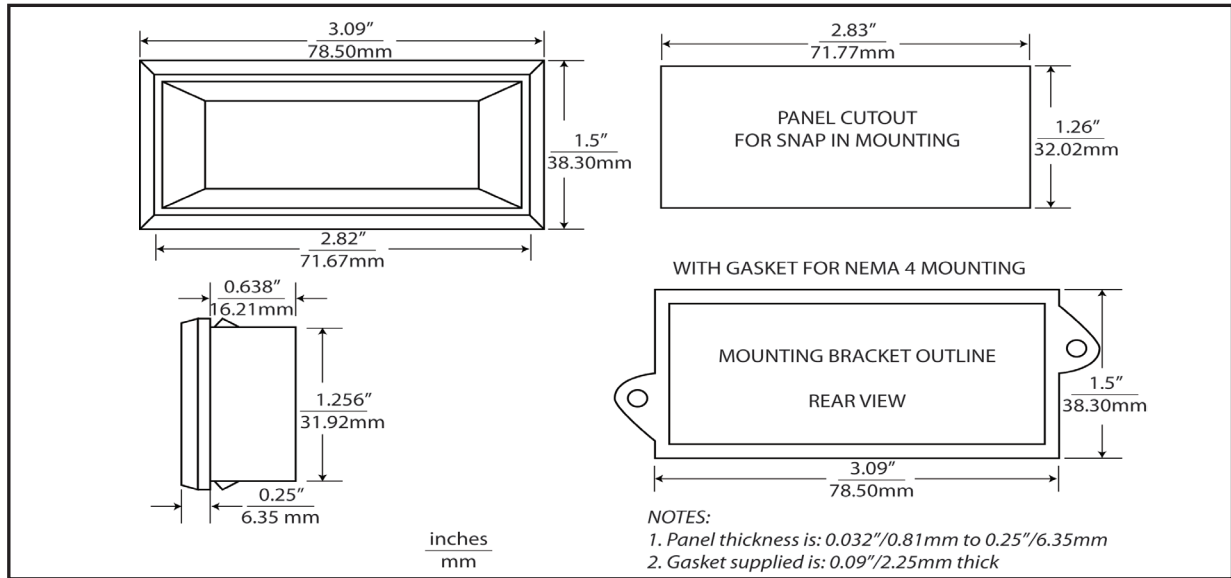


DMO-3XHR

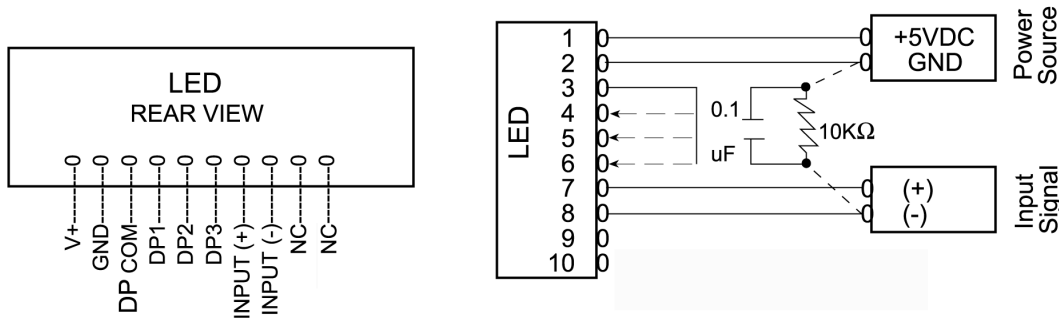
3½ DIGIT LED DPM INSTALLATION SHEET

PANEL CUTOUT & DIMENSIONS



WIRING

+5VDC WIRING CONNECTION



When systems require both power source and signal source to be isolated, please be sure to either directly wire or connect through a 10KΩ resistor, 0.1uF capacitor, pins two (2) and (8). By doing this errors caused by ground loops will be reduced. The pins that are not being used need to be left open.

Caution: By exceeding the voltage limit of 6.0VDC while connected to pins one (1) and two (2), or by reversing the polarity at any time, will cause permanent damage to the unit and may cause damage to other equipment.