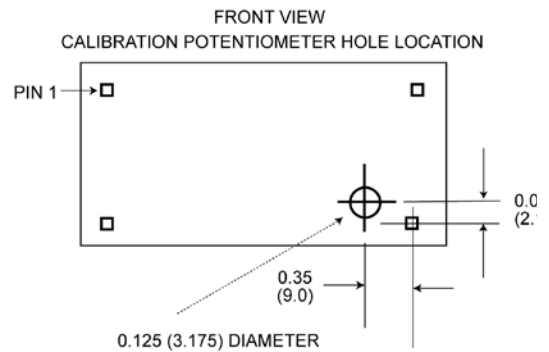
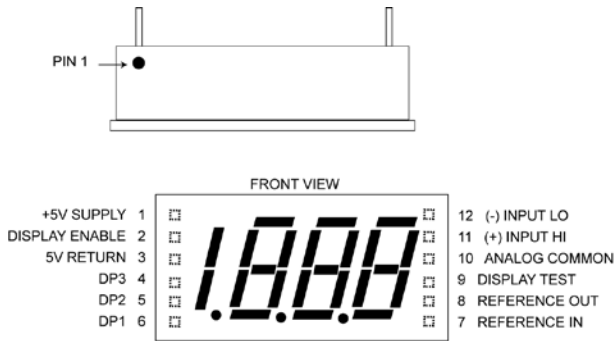


DLA2900 SERIES

3 1/2 DIGIT LED DPM INSTALLATION SHEET

PANEL CUTOUT, DIMENSIONS & WIRING



Mechanical Specifications

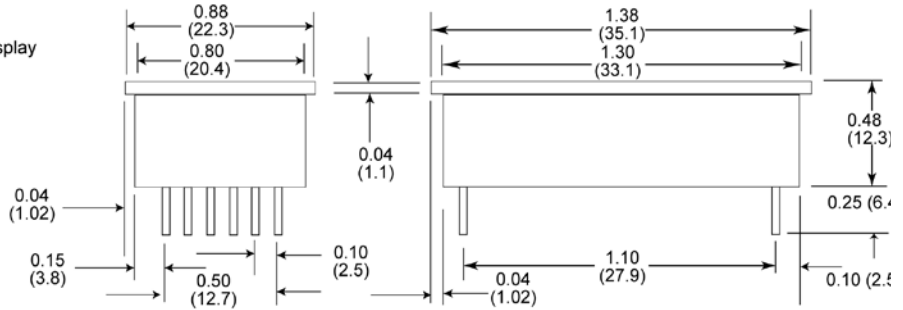
Mechanical Dimensions: Inches (mm)
Pin Dimensions: 0.025 (0.635) x 0.025 (0.635)

To enable DP's (Pin 4-6) connect to Pin 3 (5V return)

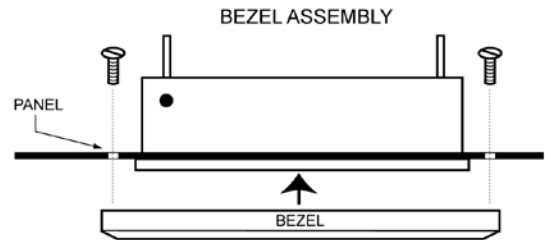
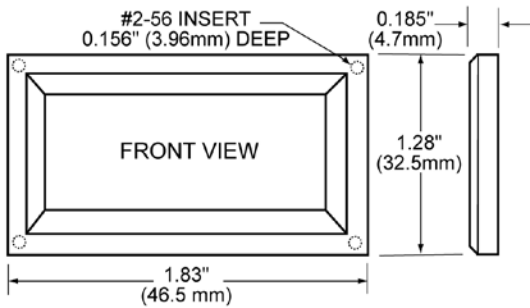
Pin 3 should be tied to Pin 12 for normal operation

Connect Pins 7 & 8

Connect Pin 2 to Pin 1 to enable display



OPTIONAL BEZEL ASSEMBLY



RECOMMENDED PANEL CUTOUT

