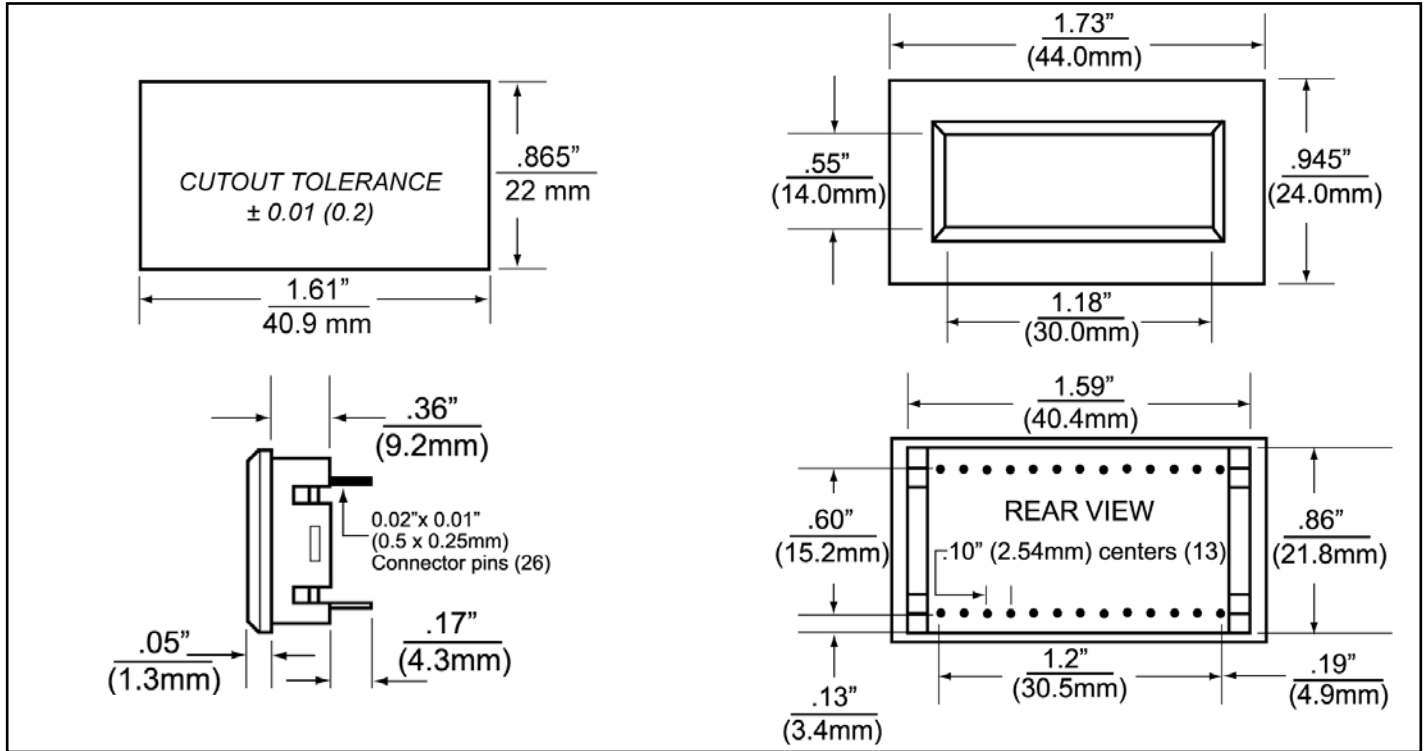


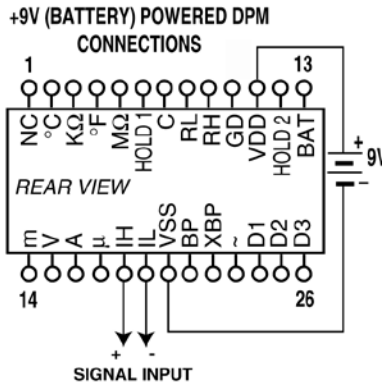
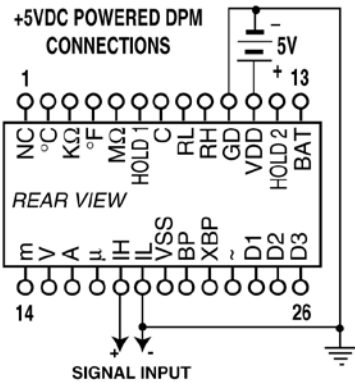
6M SERIES / DMO-50

3 1/2 DIGIT 26-PIN MINI LCD DPM INSTALLATION SHEET

PANEL CUTOUT & DIMENSIONS



WIRING



CONNECTION DESCRIPTIONS

PIN#	26 PIN	DESCRIPTION
1		NO CONNECTION
2	°C	ANNUNCIATOR
3	KΩ	ANNUNCIATOR
4	°F	ANNUNCIATOR
5	MΩ	ANNUNCIATOR
6	HOLD1	CONNECT TO VDD TO HOLD DISPLAY
7	C	ANALOG COMMON
8	RL	REFERENCE LOW TERMINAL
9	RH	REFERENCE HIGH TERMINAL
10	GD	NEG POWER SUPPLY FOR 5V DPMS
11	VDD	POSITIVE DPM POWER SUPPLY
12	HOLD2	"HOLD" ANNUNCIATOR
13	BAT	ANNUNCIATOR
14	m	ANNUNCIATOR
15	V	ANNUNCIATOR
16	A	ANNUNCIATOR
17	μ	ANNUNCIATOR
18	IH	POSITIVE INPUT SIGNAL
19	IL	NEGATIVE INPUT SIGNAL
20	VSS	NEGATIVE POWER SUPPLY FOR 9V
21	BP	LCD BACKPLANE
22	XBP	ANNUNCIATOR & DECIMAL POINT DRIVER
23	~	ANNUNCIATOR
24	D1	1.XXX
25	D2	1X.XX
26	D3	1XX.X

} DECIMAL POINT

NOTES:

1. INPUT MUST BE ISOLATED FROM SUPPLY ON 9V POWERED DPM.
2. DISPLAY HOLDS READING WHEN "HOLD1" IS HIGH (CONNECTED TO "VDD"). READINGS ARE UPDATED WHEN OPEN. (OPTIONAL)
3. INPUT COMMON MODE RANGE IS ±1 V DC ON +5V POWERED DPMS.
4. TO TURN ON DECIMAL POINTS OR ANNUNCIATORS, CONNECT TO "XBP".