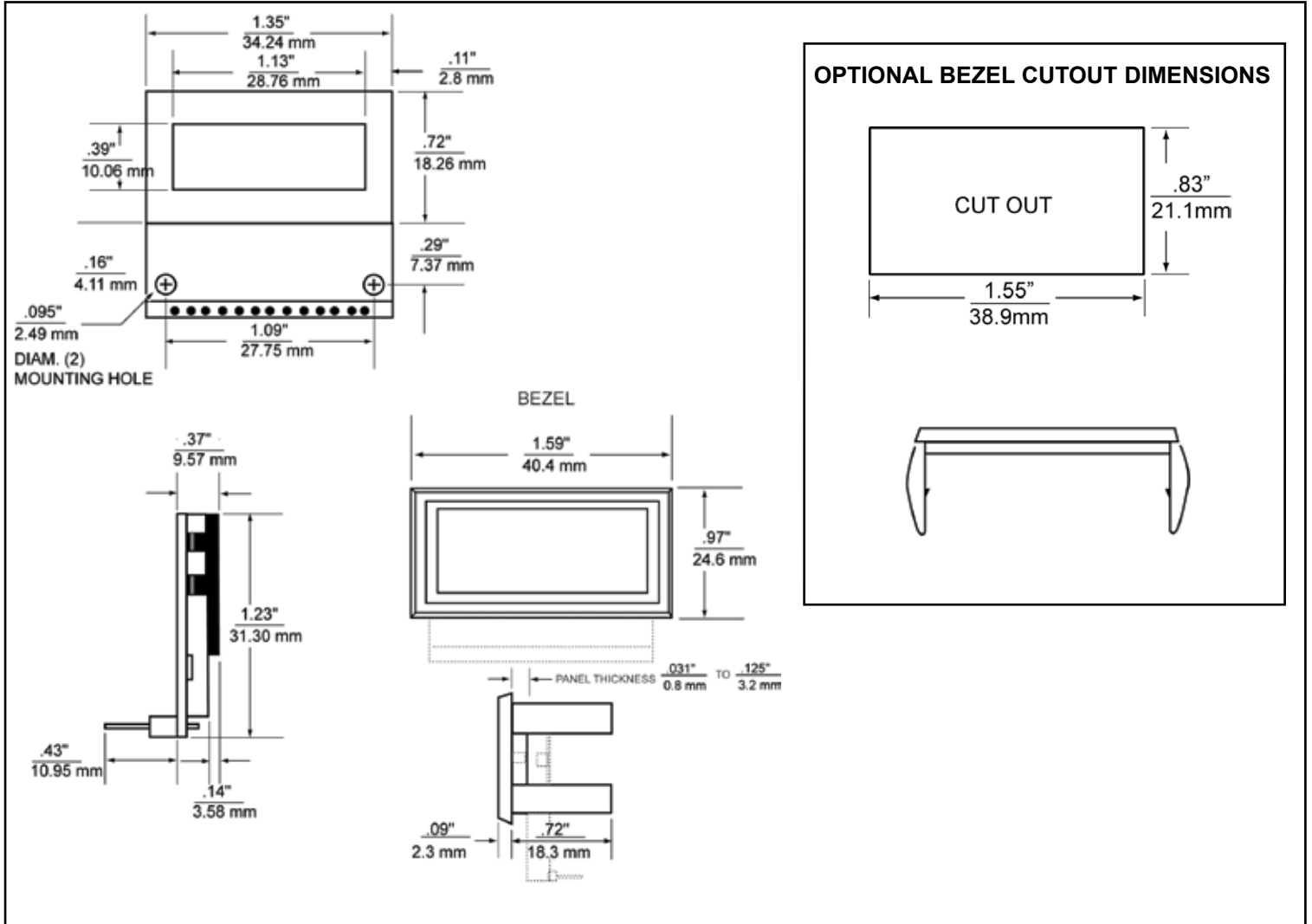


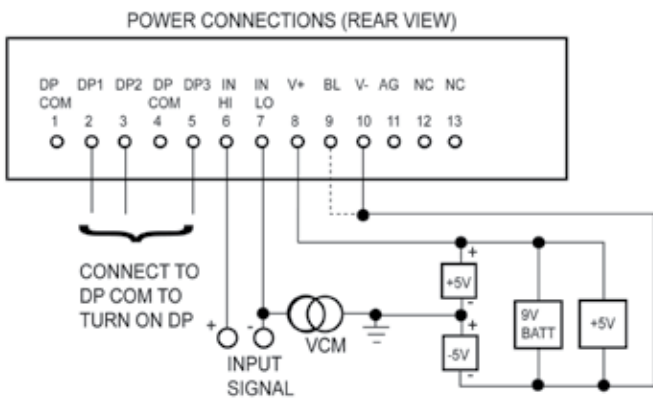
# 7M SERIES

## 3½ DIGIT 13-PIN MINI LCD DPM INSTALLATION SHEET

### PANEL CUTOUT & DIMENSIONS



### WIRING



### CONNECTION DESCRIPTIONS

| PIN# | DESCRIPTION                                   |
|------|---|
| 1    | DP COM CONNECT TO DECIMAL POINT               |
| 2    | DP1 DP XXX.X                                  |
| 3    | DP2 DP XX.XX                                  |
| 4    | DP COM CONNECTED TO SELECTED DECIMAL POINT    |
| 5    | DP3 DP X.XXX                                  |
| 6    | IN HI INPUT SIGNAL HI                         |
| 7    | IN LO INPUT SIGNAL LO                         |
| 8    | V+ +5 VOLT POWER, +9V POWER                   |
| 9    | BL CONNECT TO V- FOR BACKLIGHTING             |
| 10   | V- -5 VOLT POWER, GROUND FOR 5V, +9V          |
| 11   | AG CONNECT TO IN LO FOR 9V ISOLATED OPERATION |
| 12   | N.C. } NO CONNECTION                          |
| 13   | N.C. }  |