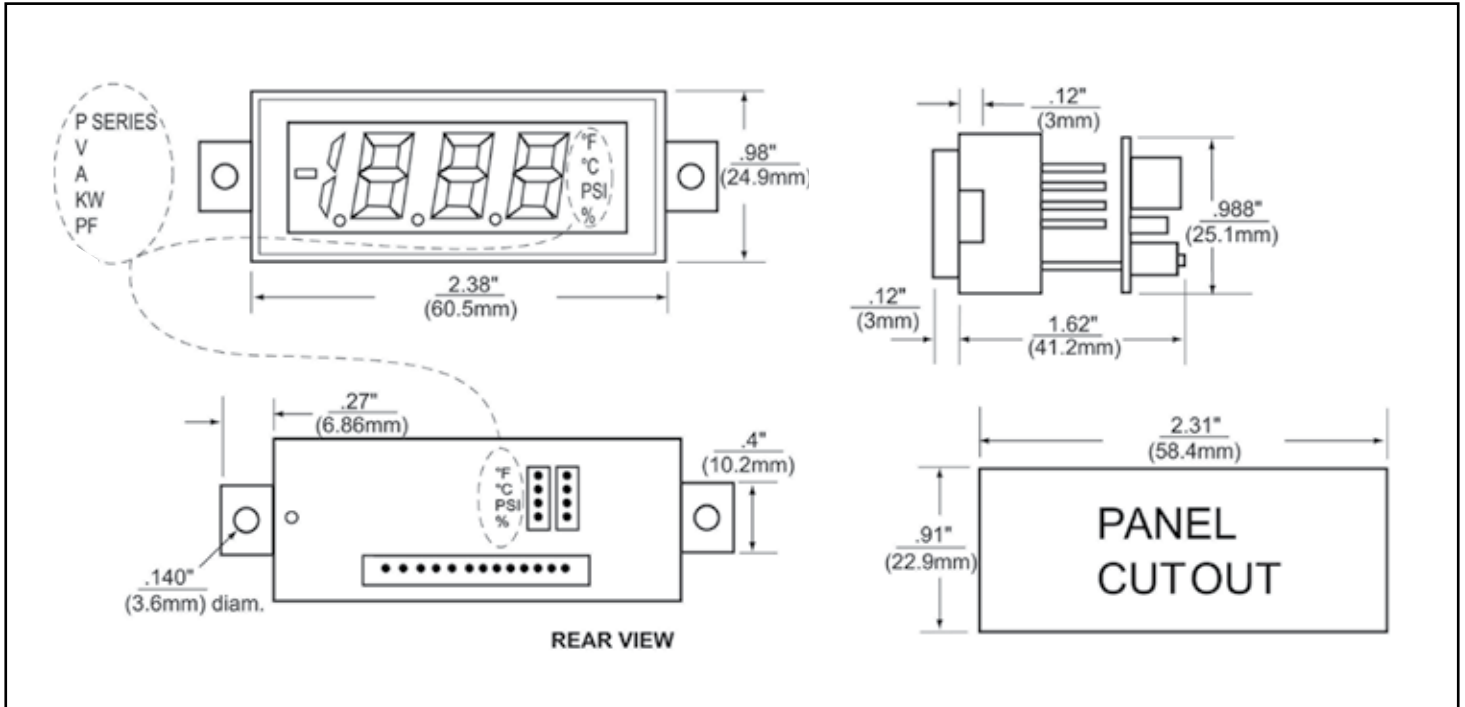


VPI-3EW

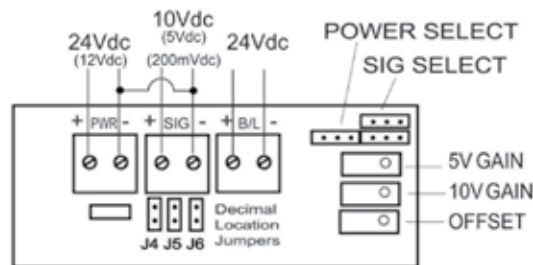
3½ DIGIT ADJUSTABLE VOLTAGE INPUT LCD DPM INSTALLATION SHEET

PANEL CUTOUT & DIMENSIONS

WINGED WINDOW MOUNT CASE



WIRING



Decimal Point Selection

1. Locate jumpers J4 through J6 in the middle of the circuit board unit.
2. Jumper the appropriate decimal location as follows:
 - J4 - 000.0
 - J5 - 00.00
 - J6 - 0.000
 - None - 0000