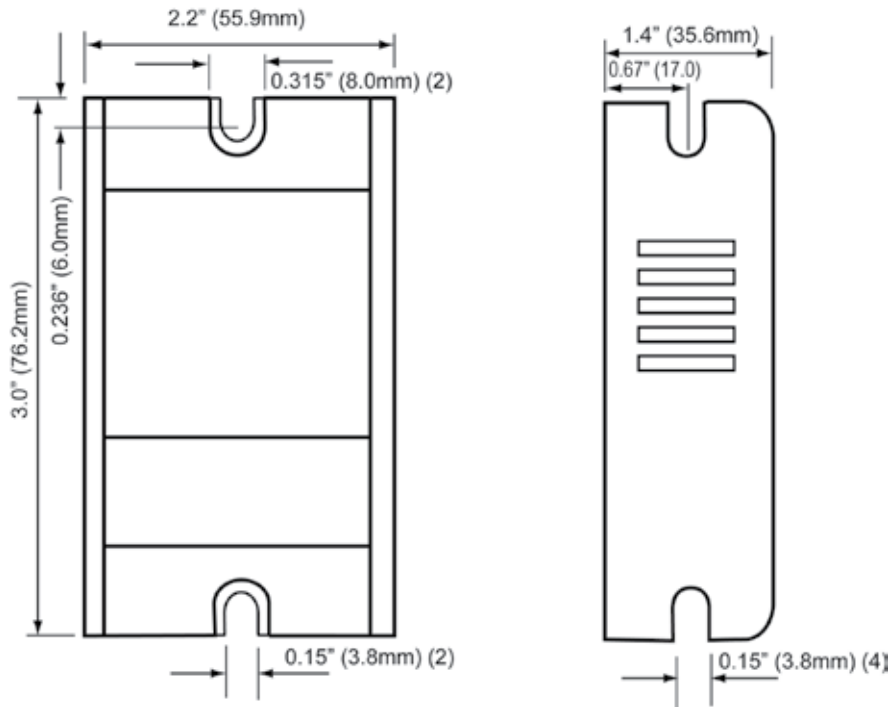


PW2

DC POWER SUPPLY

DIMENSIONS



SPECIFICATIONS

Voltage:

Input :	120 VAC \pm 5%/60Hz (external fuse recommended)
Output:	5V \pm 0.2VDC @ 300mA
	12V \pm 0.5VDC @ 200mA
	24V \pm 1VDC @ 100mA

Environment:

Operating Temperature:	0 to 55 °C
Max. Humidity:	95% RH, noncondensing

Weight: 0.38 lb.

Mounting: side or base

ORDERING INFO:

- PW2-5..... 120 AC/ 5 VDC Power Supply
- PW2-12..... 120 AC/ 12 VDC Power Supply
- PW2-24..... 120 AC/ 24 VDC Power Supply