

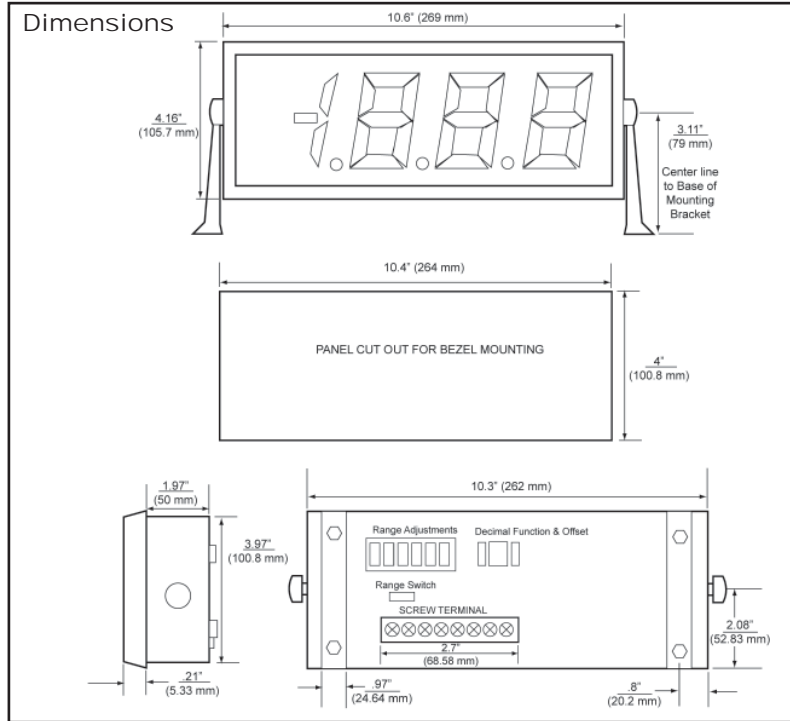
BDR-924 Series

Mounting

If the meter is to be bezel mounted, remove the two U-brackets, Place the unit through the panel from the front, assemble the U-brackets from the rear and tighten the 4 retaining bolts.

If the meter is to be gimballed mounted, remove and discard the two U-brackets from the back of the meter. Fasten the gimballed brackets to the mounting surface using appropriate hardware. Fasten the meter loosely to the gimballed using the thumbscrews. Adjust the meter to the desired viewing angle and securely tighten the thumbscrews. Note that detents are provided on the sides of the case and gimballed mounts to hold the meter at the specific angles.

Do not mount the meter outdoors or in a damp environment, or other extreme environment. It is not a sealed unit.



Wiring Connection and Calibration

All wiring should be performed by a qualified personnel, and must conform to local building codes and/or the National Electric Code.

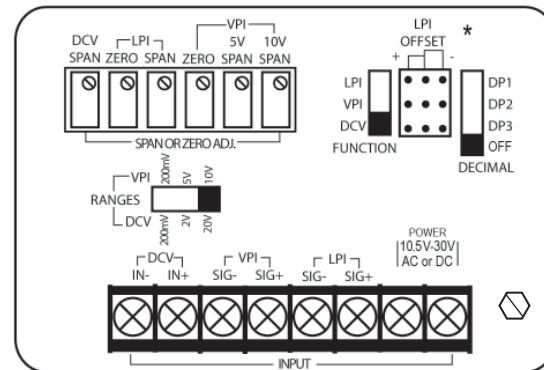
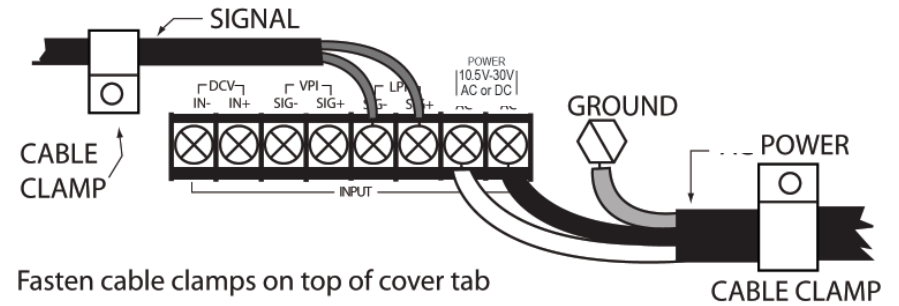
Disconnect power to the meter prior to removing the terminal block cover. Do not reapply power until the terminal block cover has been reinstalled.

Wiring Connection and Calibration continued..

All wiring connections are located on the terminal block under the terminal block cover. Remove the cover mounting screws and cable clips. Lift off the terminal cover. For best electrical noise rejection, AC wiring should be routed on the opposite sides of the terminal block and the cover from the DC input wiring.

Remove two of the thin break out sections on the terminal cover that match the diameter of the wiring cables being used. Attach the DC input wires to the appropriate screw terminals. Attach the power wires to the AC/DC power screw terminals. Attach the earth ground, if provided, to the GREEN grounding screw on the rear panel next to the terminal block. Assemble the cable clamps around the outer insulation of the cables. If the cable diameter is smaller than the cable clamps provided replace with smaller cable clamps.

Replace the cover by routing the cables through the break away slots and attach the cable clamps under the mounting screws. The cable clamps should provide strain relief for the cables by holding them securely in place.



1. Set function switch in correct position (LPI, VPI, DCV).
2. Set voltage input range switch in correct position (200mV, 2V/5V, 20V/10V).
3. Attach input wires to appropriate screw terminals.
4. Attach power wires to screw terminals. Polarity does not matter.
5. Power unit up.
6. Apply lowest input into meter, adjust correct zero pot for required reading (none on DCV function).
7. Apply highest input into meter, adjust correct span pot for required reading.
8. Recheck zero input and adjust again as needed.
9. Check reading at mid-point for required reading.
10. Select appropriate decimal as required.

* LPI OFFSET PIN POSITIONS

In "+" position enables user to have negative zero readings.
In "-" position enables user to have positive zero readings.