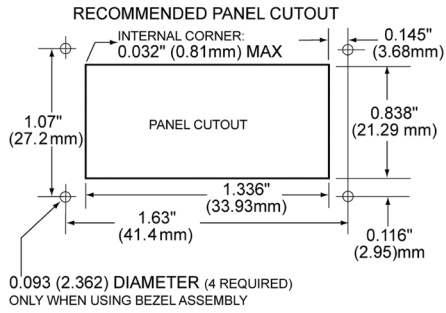
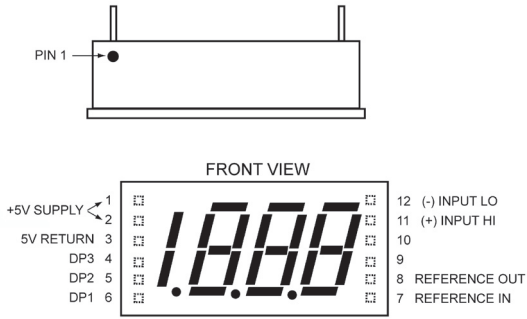
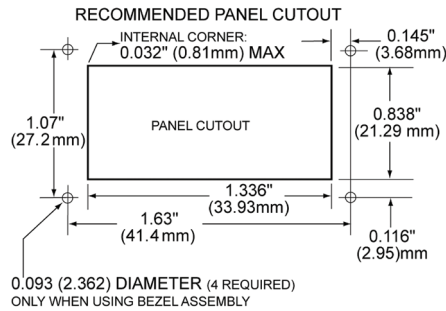
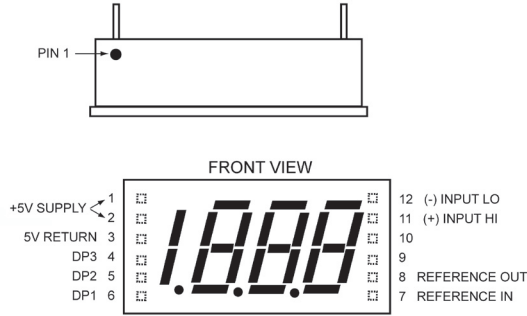


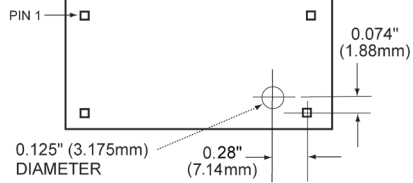
## WIRING



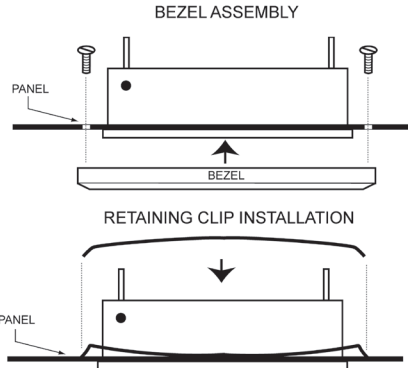
## WIRING



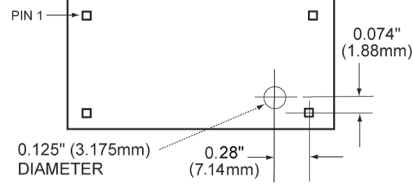
## FRONT VIEW CALIBRATION POTENTIOMETER HOLE LOCATION



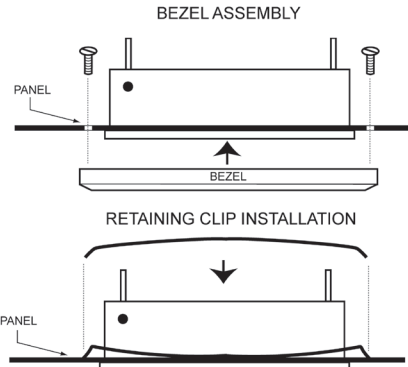
To enable DPs (Pin 4-6) connect to Pin 3 (5V return)  
Pin 3 should be tied to Pin 12 for normal operation  
Connect Pins 7 & 8



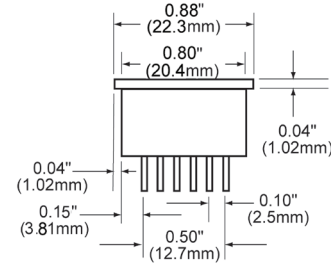
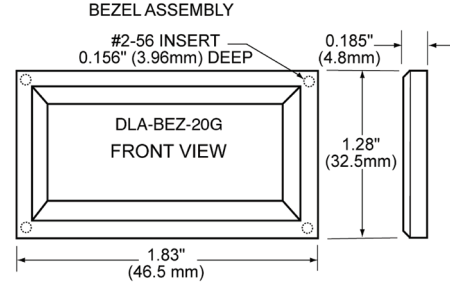
## FRONT VIEW CALIBRATION POTENTIOMETER HOLE LOCATION



To enable DPs (Pin 4-6) connect to Pin 3 (5V return)  
Pin 3 should be tied to Pin 12 for normal operation  
Connect Pins 7 & 8

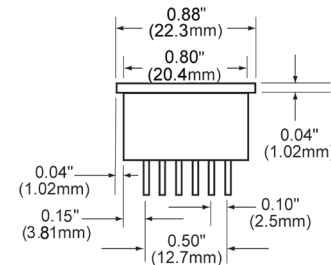
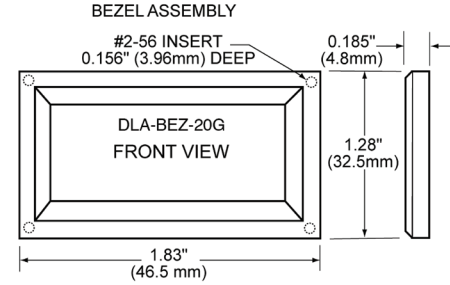


## DIMENSIONS

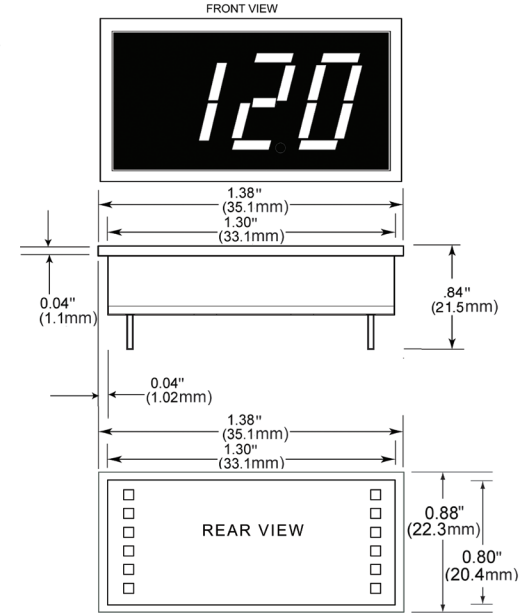


IS-056

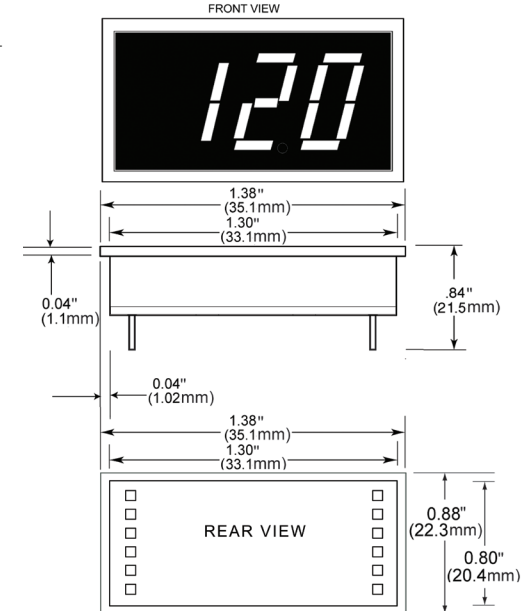
## DIMENSIONS



IS-056



Rev. 2J17



Rev. 2J17