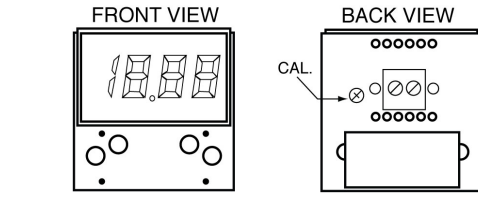
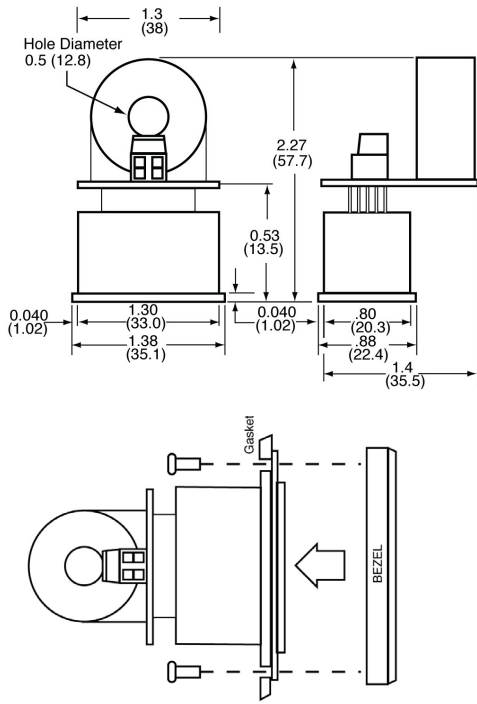
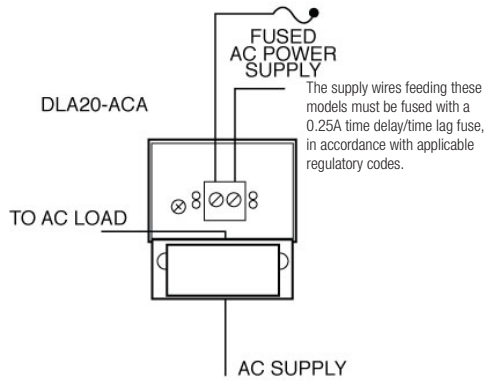


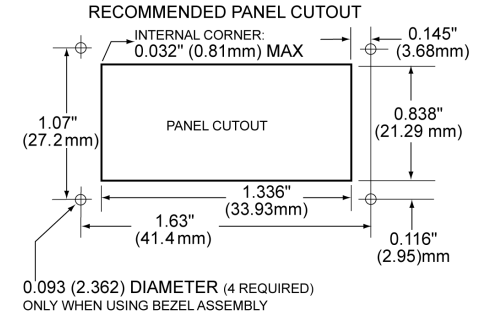
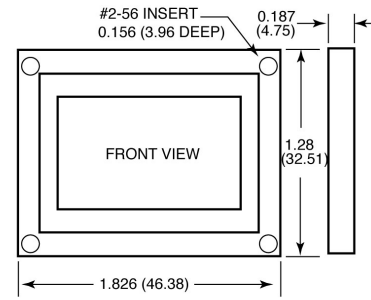
MECHANICAL SPECIFICATIONS



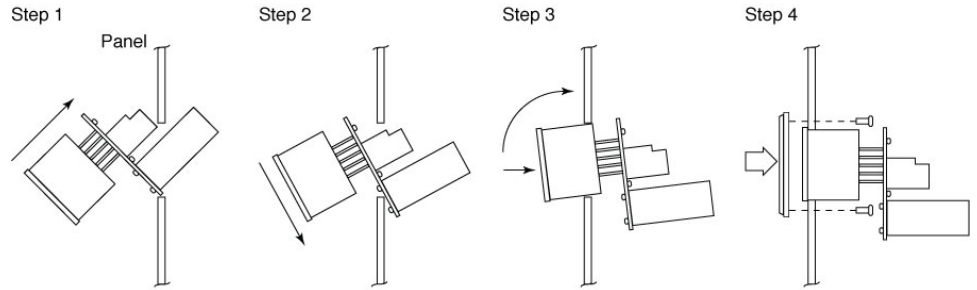
TYPICAL WIRING DIAGRAM



BEZEL INSTALLATION AND RECOMMENDED DRILL AND PANEL CUTOUT



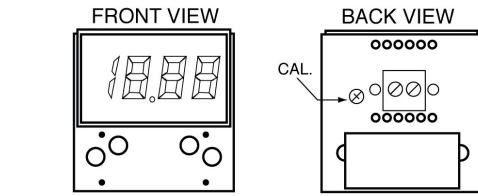
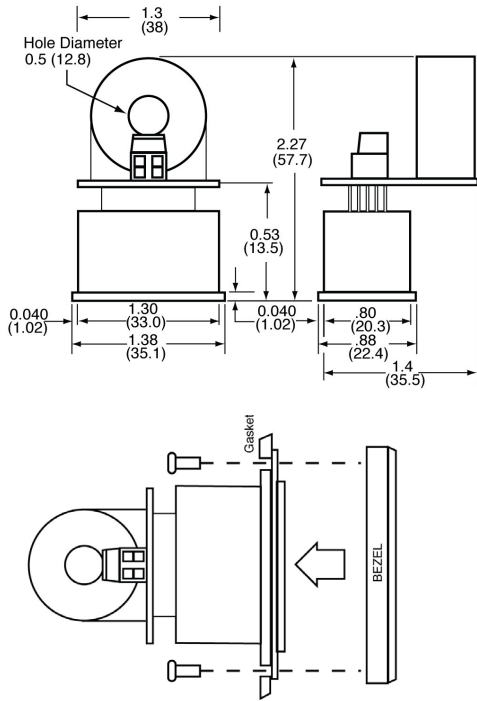
PANEL INSTALLATION



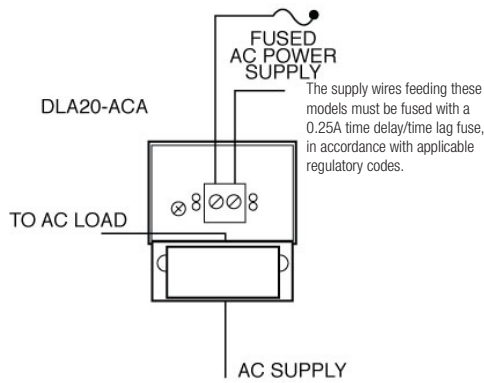
IS-057

Rev. 2J17

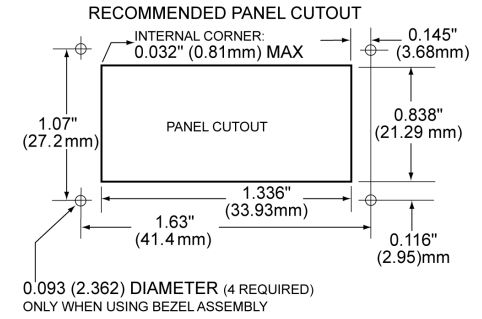
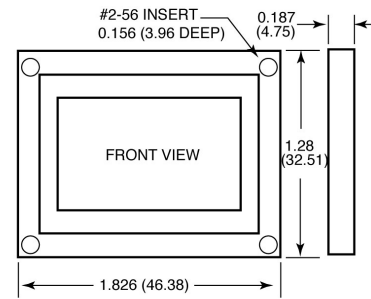
MECHANICAL SPECIFICATIONS



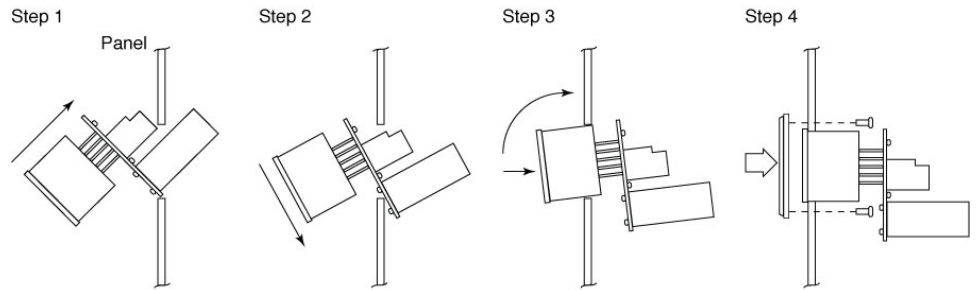
TYPICAL WIRING DIAGRAM



BEZEL INSTALLATION AND RECOMMENDED DRILL AND PANEL CUTOUT



PANEL INSTALLATION



IS-057

Rev. 2J17