

FEATURES

- ▶ Large 1", 3½ digit display for easy viewing
- ▶ User-selectable decimal points
- ▶ User-selectable engineering units
- ▶ Non-backlit LCD or choice of AMBER, GREEN, RED or BLUE backlit LCD
- ▶ Wide ZERO (Offset) & SPAN (Gain) adjustment
- ▶ Standard 1/8 DIN package
- ▶ Snap-in panel mounting
- ▶ Gasket and clamp provided for NEMA 4, NEMA 12 & IP66 applications



SPECIFICATIONS

DISPLAY

Digits: 3 ½ digits (± 1999 counts)
 Type: 1" (24.9 mm) 7 segment high contrast LCD automatic, "-" displayed
 Polarity: °F, °C, PSI, %, user-selectable or V, A, KW, PF
 Annunciators: 3 position, user selectable
 Decimal Points: three lower order digits blank for inputs >1999 & <-1999
 Overrange:

INPUTS

Voltage Ranges: 200 mV, 5 V, 10 V (VPI)
 Current Range: 4 to 20mA (LPI)
 Configuration: single ended (VPI)
 Impedance: 390K Ω (VPI)

PERFORMANCE

Accuracy: $\pm(0.05\%$ of full scale + 1 count)
 Conversion Rate: 3 per second
 Normal Mode Rejection: >30 dB @ 60 Hz
 Warmup: 10 minutes typical
 Temperature Coeff.: ± 100 ppm per °C typical
 Adjustments: 25 turn potentiometers
 Offset Range: -1999 to +1999
 Gain Range: 1 to 1999 (custom ranges available)

ENVIRONMENT

Operating Range: -10 to 50 °C
 Storage Range: -10 to 75 °C

POWER SUPPLY

Loop Powered: 300 Ω nominal at 20 mA (LPI)
 Voltage Controlled: 10 mA at 12 V (9 to 16 V) or 24 V (16 to 32 V) (VPI)
 Backlighting: 35 mA typical @ 24 VDC

MOUNTING

snap-in panel mount or clamp and gasket (included)

CONNECTION

screw terminals

ORDERING INFO

PART NUMBER	BACKLIGHT COLOR	METER INPUT	METER POWER	BACKLIGHT POWER
LPI-807*	NO BACKLIGHT	4-20mA	mA loop	NONE
LPI-807*A	AMBER	4-20mA	mA loop	24VDC
LPI-807*B	BLUE	4-20mA	mA loop	24VDC
LPI-807*G	GREEN	4-20mA	mA loop	24VDC
LPI-807*R	RED	4-20mA	mA loop	24VDC
VPI-809*	NO BACKLIGHT	Voltage	12/24VDC	NONE
VPI-809*A	AMBER	Voltage	12/24VDC	24VDC
VPI-809*B	BLUE	Voltage	12/24VDC	24VDC
VPI-809*G	GREEN	Voltage	12/24VDC	24VDC
VPI-809*R	RED	Voltage	12/24VDC	24VDC

*Add (P) for Power Engineering Units V, A, KW, PF

ACCESSORIES

PW2-12	Regulated 120V AC to 12V DC Power Supply
PW2-24	Regulated 120V AC to 24V DC Power Supply
CVC	Calibrator

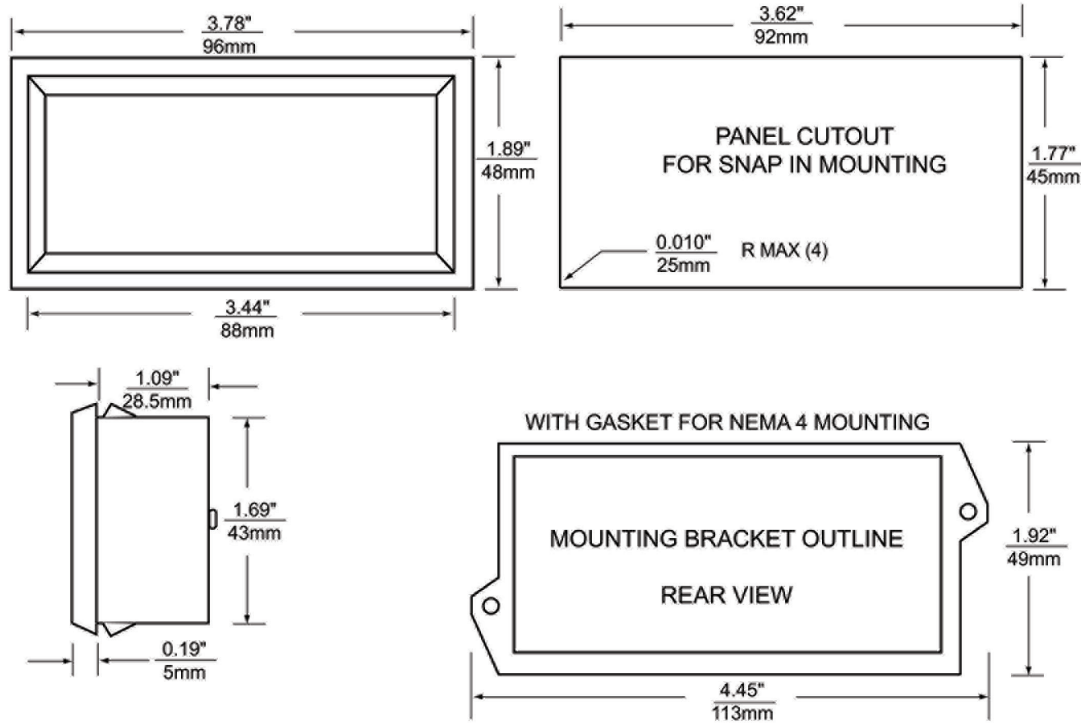


LCD Digital Panel Meters

Large 1" - 3/2" Digit Loop Powered or Voltage Controlled DPM



DIMENSIONS



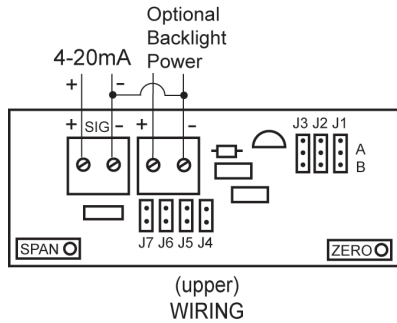
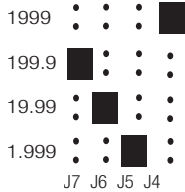
NOTES:

1. Panel thickness is: 0.032"/0.81mm to 0.25"/6.35mm
2. Gasket supplied is: 0.075"/1.9mm thick

WIRING

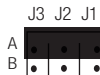
LPI-807

1. DECIMAL SELECTION:



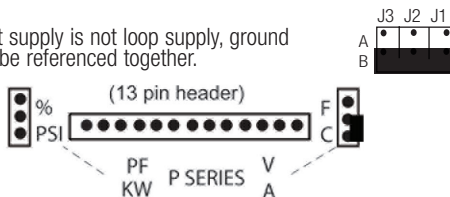
2. J1, J2, J3 SELECTION:

IF: OFFSET (ZERO) IS ≤ 0 or
OFFSET (ZERO) > 0 and GAIN (SPAN) \div OFFSET (ZERO) ≥ 5



IF: OFFSET (ZERO) > 0 and GAIN (SPAN) \div OFFSET (ZERO) < 5

NOTE: If backlight supply is not loop supply, ground should be referenced together.



VPI-809

